



IBB Nollendorfstraße 18 45472 Mülheim an der Ruhr

Equipson S.A:  
Polig. Ind. La Ermita – Nave K 1  
E-46439 Il Romani – Solana  
España

Ihr Zeichen

Ihre Nachricht vom

Unser Zeichen

Datum

### TEST CERTIFICATE

TYPE OF EQUIPMENT: Work-Lift for Truss-Systems

TYPE DESIGNATION: WORK LW 155-R

DESCRIPTION: Truss-Lift shared in 4 parts  
Dead Weight: 45 kg (450 N)  
Min. Height: 1,72m  
Max. Height: 5,30 m  
Min. Load: 25 kg (250 N)  
Max. Load: 150 kg (1.500 N)  
Standing area: 2,00 m x 2,00 m

TEST DOCUMENTS: BGV C1 (GUV 6.15) / BGG 912 (GUV 66.15)

TEST RESULTS: The described Truss-Lift meets all the requirements specified in the German BGV C1 (GUV 6.15).

Mülheim/Ruhr, 14 June 2001

(Der ermächtigte Sachverständige Dipl.-Ing. univ. Olaf Brandt)



Dipl.-Ing. univ.

**Olaf Brandt**

Nollendorfstraße 18  
45472 Mülheim an der Ruhr  
fon 0208/377 88 84 fax 377 88 85

## ACCESORIES/ACCESORIOS

## LIFTING TOWER / TORRE ELEVADORA LW 155 R

### AW 135



600 mm long/largo

Support bar for truss 35 mm. insertation male

*Soporte para truss 35 mm, de inserción macho.*

### AW 235



270 mm long/largo

Support bar for truss 35 mm. insertation male

*Soporte para truss 35 mm, de inserción macho.*

### AW 335



212 mm long/largo

Support bar for truss 35 mm. insertation male

*Soporte para truss 35 mm, de inserción macho.*

### AW 435



200 x 598 mm

Support bar for truss 35 mm. insertation male

*Soporte para truss 35 mm, de inserción macho.*

### AW 10



Parallel truss support 35 mm. insertation male

*Soporte para truss paralelo 35 mm, de inserción macho.*

### AW 1



Support for 2 loudspeakers 35 mm. insertation male

*Soporte 2 altavoces 35 mm, de inserción macho.*

### AW 535

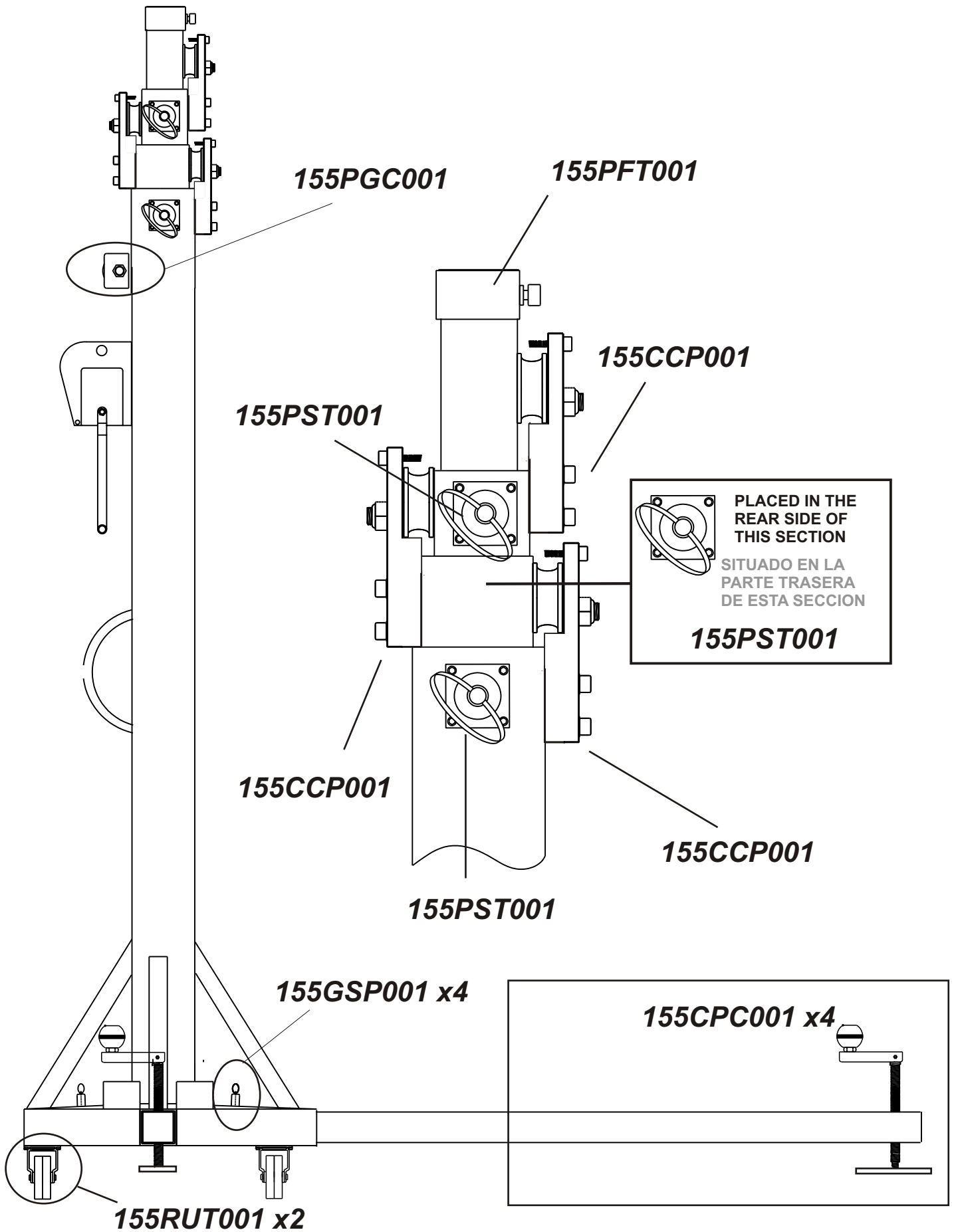


1960 mm

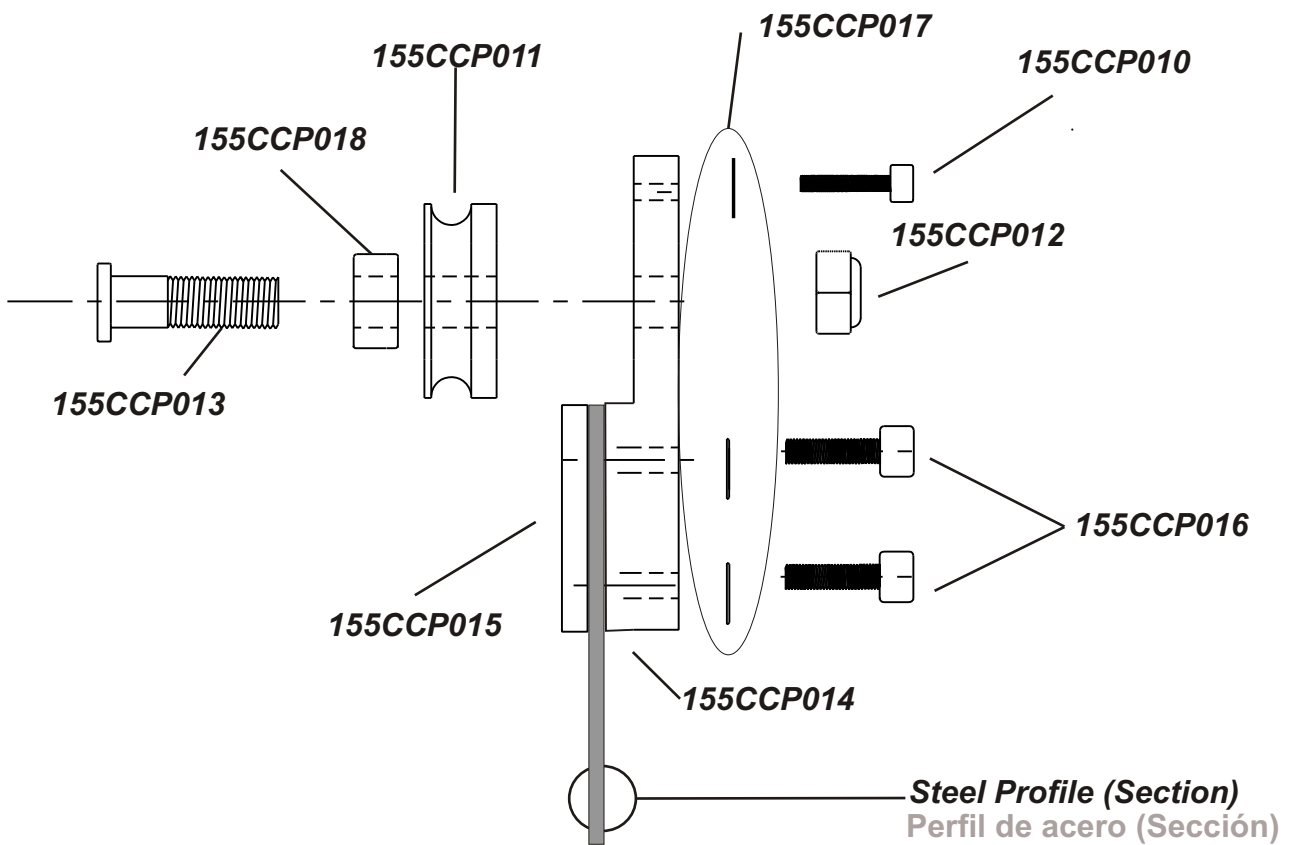
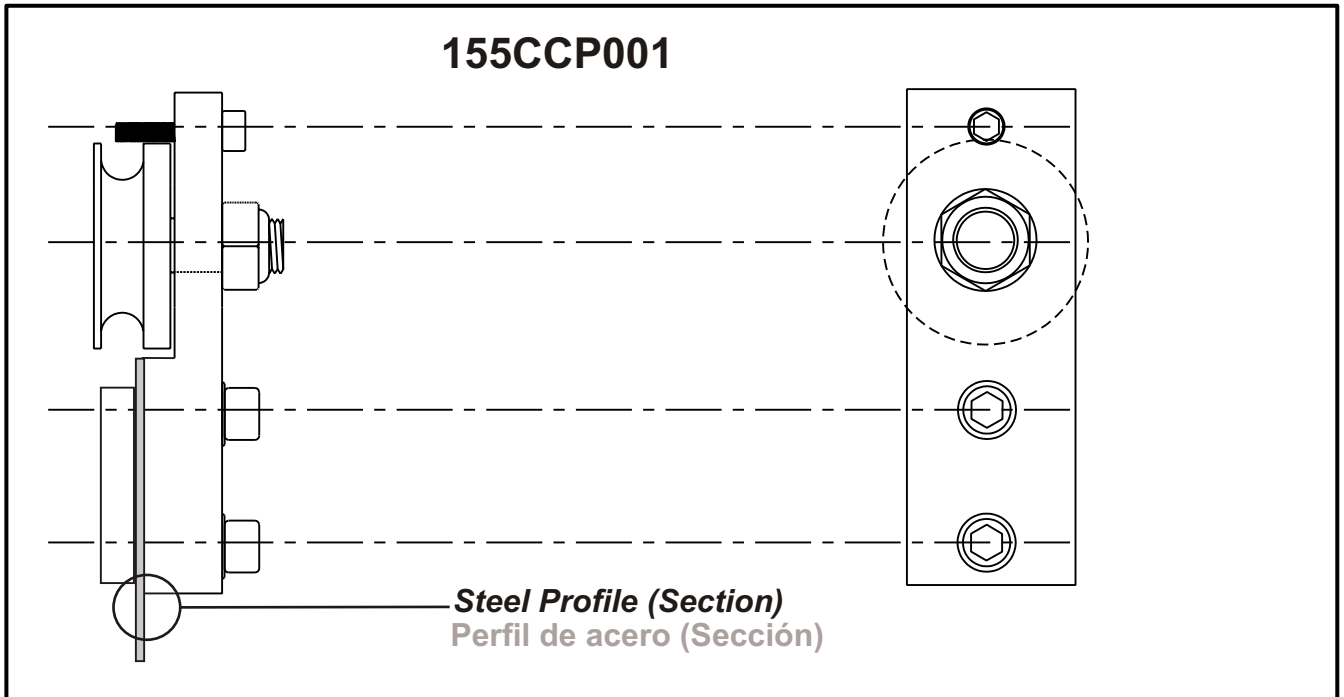
Bar support for 6 light units 35 mm. insertation male.

*Barra de soporte para 6 unidades de iluminación 35 mm, de inserción macho.*

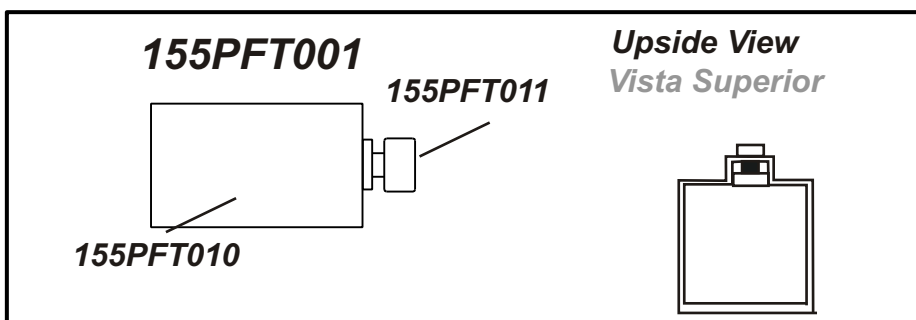
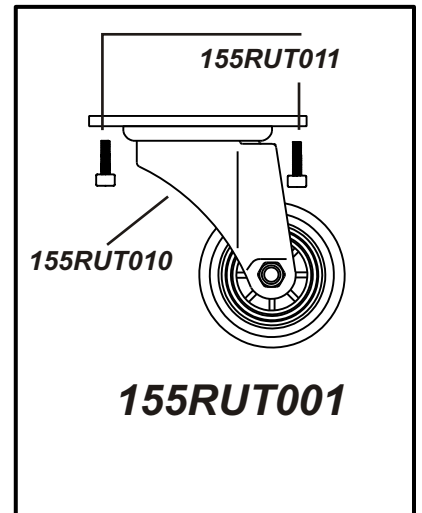
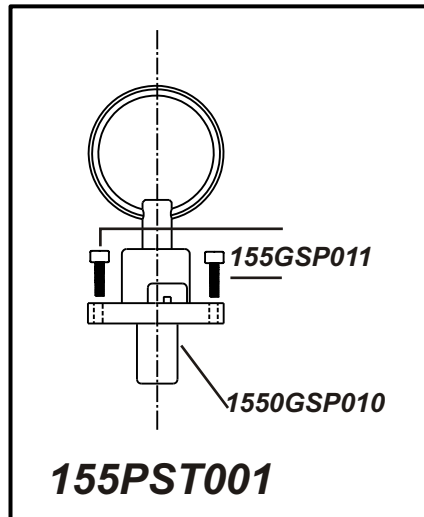
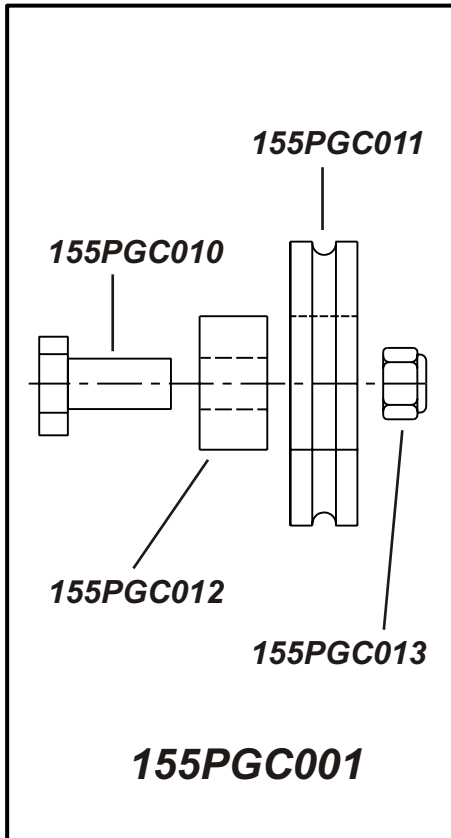
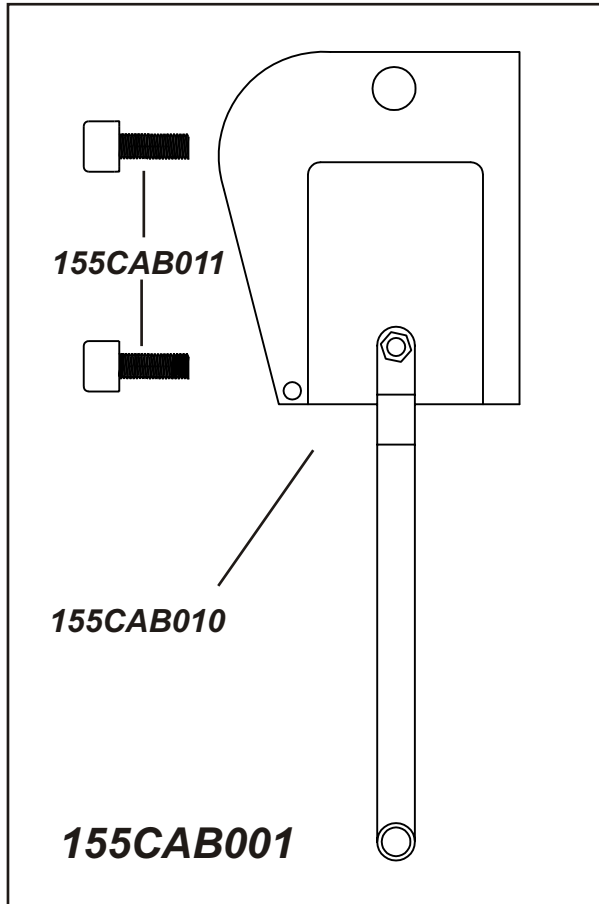
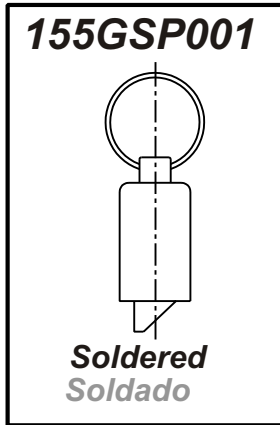
LIFTING TOWER / TORRE ELEVADORA LW 155 R



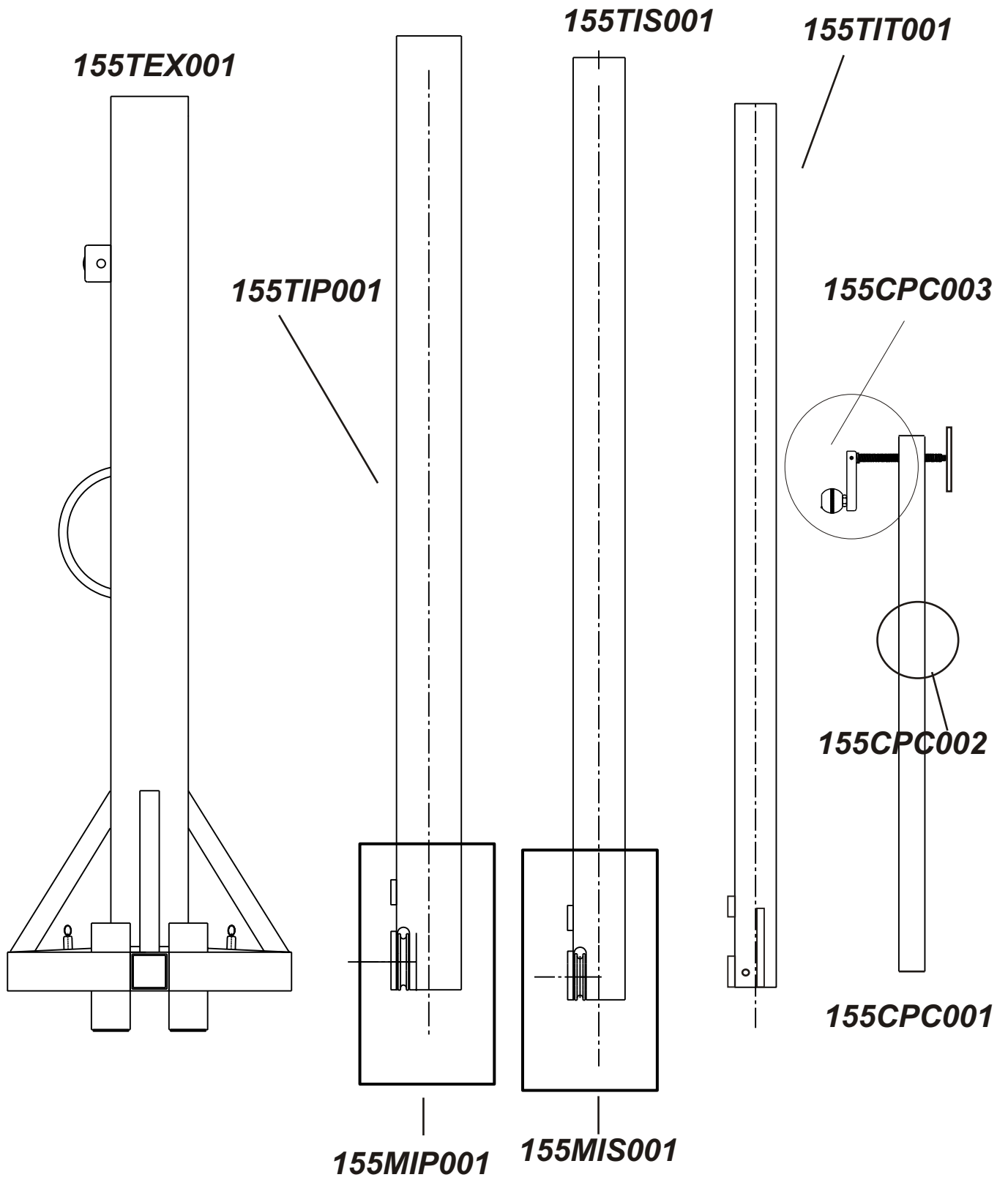
LIFTING TOWER / TORRE ELEVADORA LW 155 R



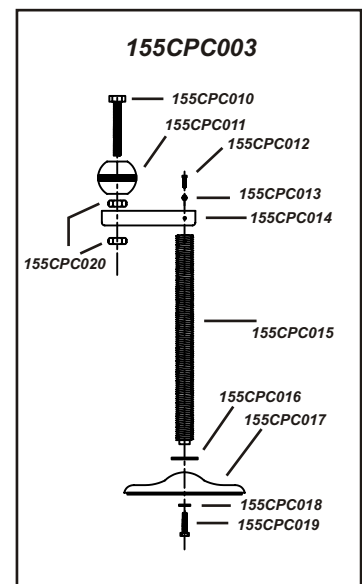
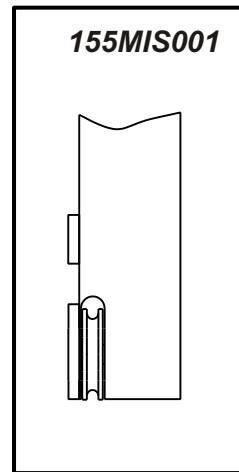
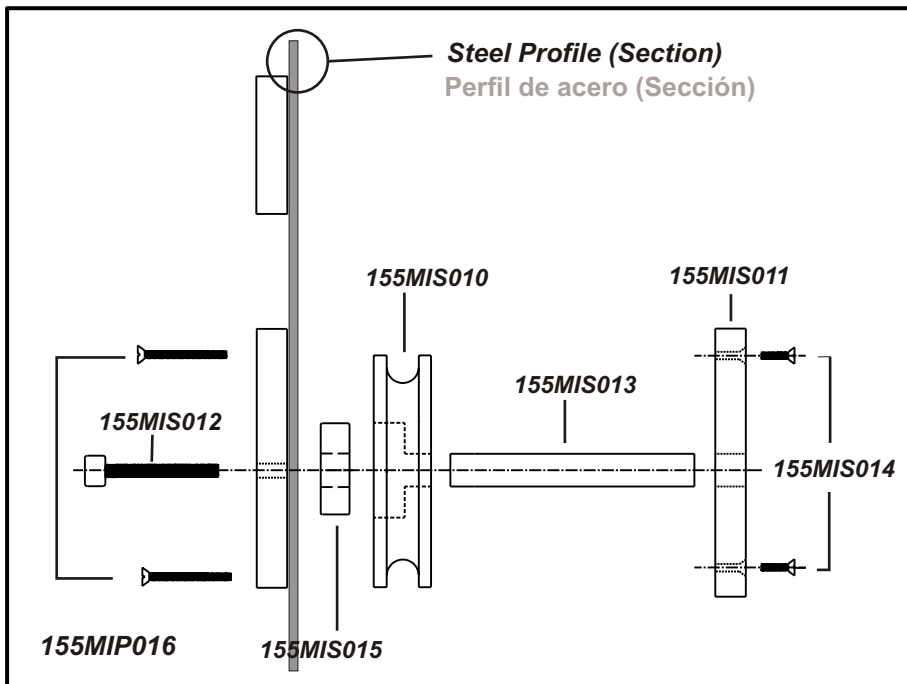
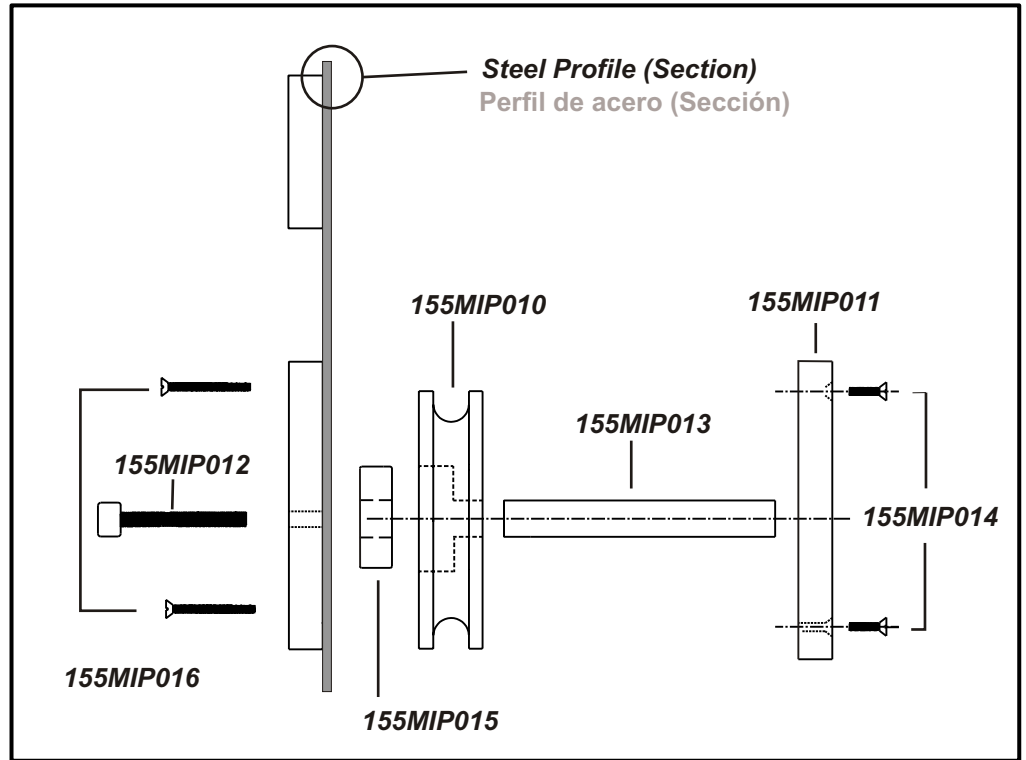
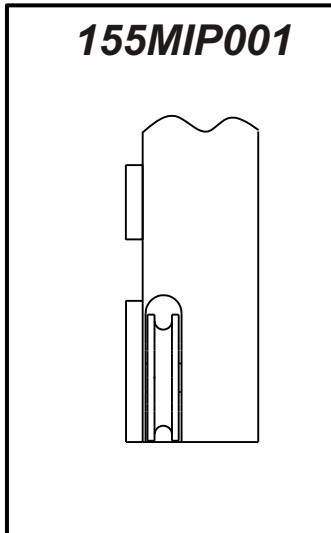
LIFTING TOWER / TORRE ELEVADORA LW 155 R



LIFTING TOWER / TORRE ELEVADORA LW 155 R



# LIFTING TOWER / TORRE ELEVADORA LW 155 R



## LIFTING TOWER / TORRE ELEVADORA LW 155 R

### **155CCP001** Pulley Complete Set Conjunto completo de portapolea.

<b>155CCP010</b>	<b>Allen screw</b>	Tornillo Allen
<b>155CCP011</b>	<b>Pulley</b>	Polea
<b>155CCP012</b>	<b>Auto-Threadable nut</b>	Tuerca autoroscable
<b>155CCP013</b>	<b>Fixation screw</b>	Tornillo de fijación
<b>155CCP014</b>	<b>Perforation plate</b>	Pletina perforada
<b>155CCP015</b>	<b>Internal plate</b>	Pletina interna
<b>155CCP016</b>	<b>Allen screw</b>	Tornillo Allen
<b>155CCP017</b>	<b>Washer</b>	Arandela

### **155PST001** Safety Trigger Complete Gatillo de seguridad completo

<b>155PST010</b>	<b>Trigger</b>	Gatillo
<b>155PST011</b>	<b>Allen Screw</b>	Tornillo Allen

### **155PGC001** Cable Guiding Pulley Polea guiadora de cable

<b>155PGC010</b>	<b>Fixation screw</b>	Tornillo de fijación
<b>155PGC011</b>	<b>Pulley</b>	Polea
<b>155PGC012</b>	<b>Sleeve</b>	Casquillo
<b>155PGC013</b>	<b>Auto-Threadable nut</b>	Tuerca autoroscable

### **155PFT001** Top Insertion Piece Pieza superior para Inserción

<b>155PFT010</b>	<b>End Piece</b>	Pieza final
<b>155PFT011</b>	<b>Allen Screw</b>	Tornillo Allen

### **155RUT001** Transport Wheel Set Conjunto Rueda de Transporte

<b>155RUT010</b>	<b>Rueda</b>	Rueda
<b>155RUT011</b>	<b>Allen Screw</b>	Tornillo Allen

### **155GSP001** Leg Trigger Complete Gatillo de seguridad completo

### **155CPC001** Stabilizer Leg Set Conjunto Pata Estabilizadora

<b>155CPC002</b>	<b>Leg</b>	Pata
<b>155CPC003</b>	<b>Stabilizer</b>	Estabilizador
<b>155CPC010</b>	<b>Allen screw</b>	Tornillo Allen
<b>155CPC011</b>	<b>Knob</b>	Pomo
<b>155CPC012</b>	<b>Fixation screw</b>	Tornillo de fijación
<b>155CPC013</b>	<b>Nut</b>	Tuerca
<b>155CPC014</b>	<b>Crank</b>	Manivela
<b>155CPC015</b>	<b>Screw-Shaped Bar</b>	Barra Roscada
<b>155CPC016</b>	<b>Washer</b>	Arandela
<b>155CPC017</b>	<b>Stabilizer Base</b>	Base del estabilizador
<b>155CPC018</b>	<b>Washer</b>	Arandela
<b>155CPC018</b>	<b>Screw</b>	Tuerca



## LIFTING TOWER / TORRE ELEVADORA LW 155 R

<b>155MIP001</b>	<b>1° Section Internal Mechanism</b>	Conjunto completo de portapolea.
155MIP010	Pulley	Polea
155MIP011	Plate	Pletina
155MIP012	Allen screw	Tornillo Allen
155MIP013	Axle	Eje
155MIP014	Fixation screw	Tornillo de fijación
155MIP015	Bearing	Rodamiento
155MIP016	Fixation screw	Tornillo de fijación

<b>155MIS001</b>	<b>2° Section Internal Mechanism</b>	Conjunto completo de portapolea.
155MIS010	Pulley	Polea
155MIS011	Plate	Pletina
155MIS012	Allen screw	Tornillo Allen
155MIS013	Axle	Eje
155MIS014	Fixation screw	Tornillo de fijación
155MIS015	Bearing	Rodamiento
155MIS016	Fixation screw	Tornillo de fijación

**155TEX001** External Profile Section Tramo Externo

**155TIP001** First Internal Profile Section Primer Tramo Interno

**155TIS001** Second Internal Profile Section Segundo Tramo Interno

**155TIT001** Third Internal Profile Section Tercer Tramo Interno