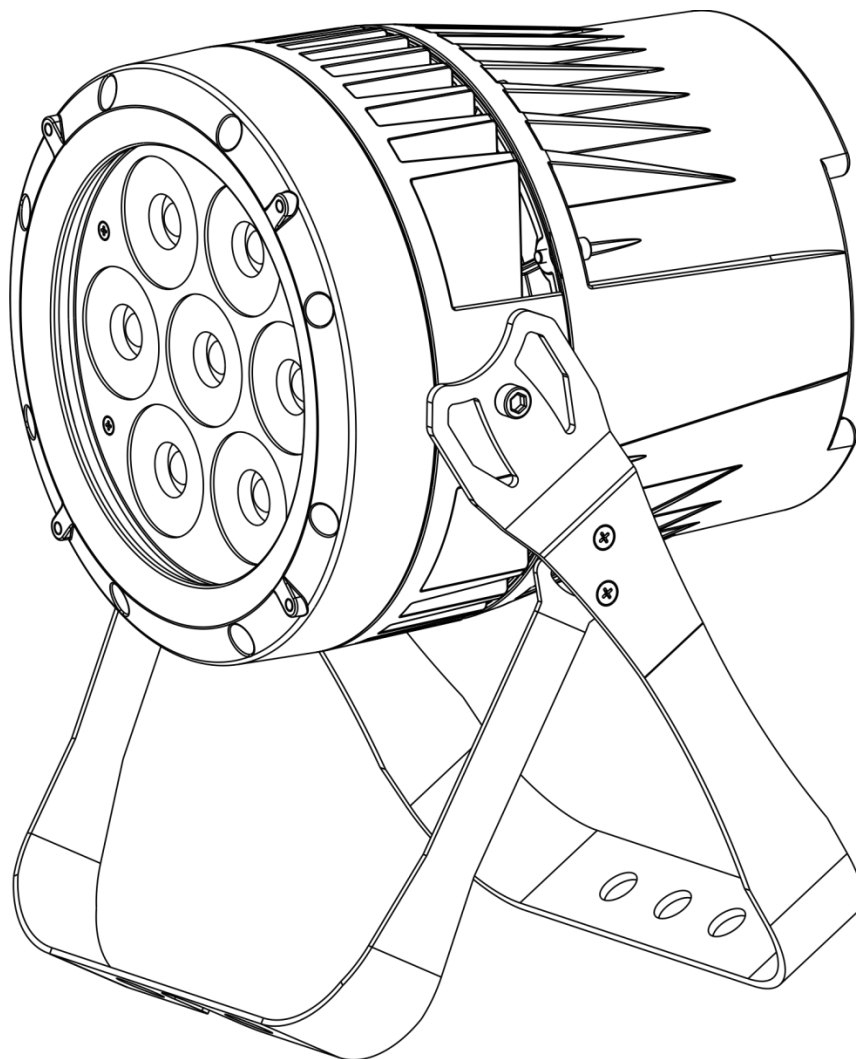




MANUAL



ENGLISH

Spectral M1500 Zoom Q4 MKII V1

Ordercode: 43547

Table of contents

Warning	3
Safety Instructions	3
Operating Determinations	5
Rigging	5
Connection with the mains	6
Return Procedure	7
Claims	7
Description of the device	8
Frontside	8
Backside	9
Installation	9
Set Up and Operation	9
Control Modes	10
One Spectral (Static Colors)	10
One Spectral (Built-in programs)	10
Multiple Spectrals (Master/Slave control)	10
Multiple Spectrals (DMX Control)	11
Fixture Linking	12
Data Cabling	12
Control Panel	13
Control Mode	13
DMX Addressing	13
Menu Overview	14
Main Menu Options	16
1. Static Colors	16
2. Built-in programs	17
3. Master/Slave Mode	17
4. DMX-512 Mode	17
5. DMX channel modes	17
6. Edit Mode	18
6.1. How to make your own custom program	18
7. Settings	19
7.1. Password	19
7.2. Upload	19
7.3. Reset	19
7.4. Color	19
7.5. Dimmer	20
7.6. DMX Error	20
7.7. Settings menu lock	20
7.8. Zoom presets	20
7.9. Curve	21
8. White color settings/RGB calibration/Calibration reset	21
8.1. White color settings	21
8.2. RGB calibration	21
8.3. Calibration reset	22
9. Zoom calibration	22
DMX Channels	22
12 channels (TOUR)	22
17 channels (TR16)	24
3 channels (ARC1)	26
4 channels (AR1.D)	26
4 channels (ARC.2)	26
5 channels (AR2.D)	26
6 channels (AR2.S)	27

3 channels (HSV)27
7 channels (AR2.Z)27
25 channels (FULL)28

Maintenance31

Troubleshooting31
 No Light31
 No Response to DMX.....31

Product Specifications33

Dimensions.....34

Warning



**For your own safety, please read this user manual carefully
before your initial start-up!**

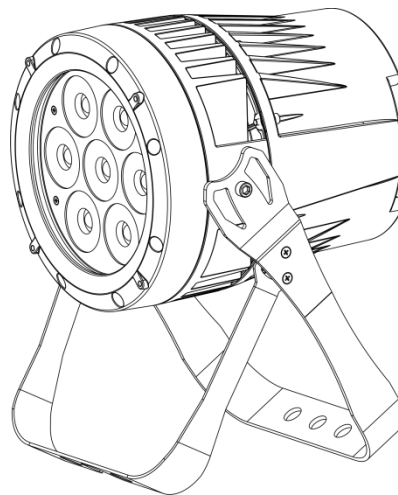


Unpacking Instructions

Immediately upon receiving this product, carefully unpack the carton and check the contents to ensure that all parts are present, and have been received in good condition. Notify the dealer immediately and retain packing material for inspection if any parts appear damaged from shipping or the carton itself shows signs of mishandling. Save the carton and all packing materials. In the event that a fixture must be returned to the factory, it is important that the fixture be returned in the original factory box and packing.

Your shipment includes:

- Showtec Spectral M1500 Zoom Q4 MKII
- Schuko to PowerCON connector power cable (1,5 m)
- Display protective cover
- User manual



LED Expected Lifespan

LEDs gradually decline in brightness over time. HEAT is the dominant factor that leads to the acceleration of this decline. Packaged in clusters, LEDs exhibit higher operating temperatures than in ideal or singular optimum conditions. For this reason, when all color LEDs are used at their fullest intensity, life of the LEDs is significantly reduced. If improving the lifespan is of higher priority, place care in providing for lower operational temperatures. This may include climatic-environmental and the reduction of overall projection intensity.



CAUTION!

**Keep this device away from rain and moisture!
Unplug mains lead before opening the housing!**



Safety Instructions

Every person involved with the installation, operation and maintenance of this device has to:

- be qualified
- follow the instructions of this manual



**CAUTION! Be careful with your operations.
With a dangerous voltage you can suffer
a dangerous electric shock when touching the wires!**



Before the initial start-up, please make sure that there is no damage caused by transportation. Should there be any, consult your dealer and do not use the device.

To maintain perfect condition and to ensure a safe operation, it is absolutely necessary for the user to follow the safety instructions and warning notes contained in this manual.

Please consider that damages caused by manual modifications to the device are not subject to warranty.

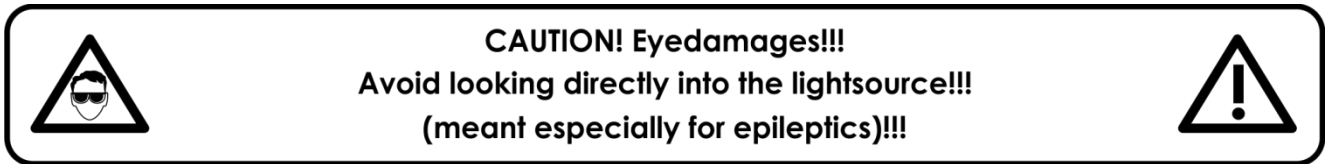
This device contains no user-serviceable parts. Refer servicing to qualified technicians only.

IMPORTANT:

The manufacturer will not accept liability for any resulting damages caused by the non-observance of this manual or any unauthorized modification to the device.

- Never let the power cord come into contact with other cables! Handle the power cord and all connections with the mains with particular caution!
- Never remove warning or informative labels from the unit.
- Never use anything to cover the ground contact.
- Never lift the fixture holding it by the projector-head, as the mechanics may be damaged. Always hold the fixture by the transport handles.
- Never place any material over the lens.
- Never look directly into the light source.
- Never leave any cables lying around.
- Do not insert objects into air vents.
- Do not connect this device to a dimmerpack.
- Do not switch the device on and off in short intervals, as this will reduce the device's life.
- Do not touch the device's housing bare-handed during its operation (housing becomes very hot). Allow the fixture to cool for at least 5 minutes before handling.
- Do not shake the device. Avoid brute force when installing or operating the device.
- Only use the device indoors, avoid contact with water or other liquids.
- Only operate the fixture after having checked if the housing is firmly closed and all screws are tightly fastened.
- Only operate the device after having familiarized with its functions.
- Avoid flames and do not put close to flammable liquids or gases.
- Always keep the case closed while operating.
- Always allow a free air space of at least 50 cm around the unit for ventilation.
- Always disconnect power from the mains, when device is not used or before cleaning! Only handle the power cord holding it by the plug. Never pull out the plug by tugging the power cord.
- Make sure that the device is not exposed to extreme heat, moisture or dust.
- Make sure that the available voltage is not higher than stated on the rear panel.
- Make sure that the power cord is never crimped or damaged. Check the device and the power cord from time to time.
- If the lens is obviously damaged, it has to be replaced.
- If device was dropped or struck, disconnect mains power supply immediately. Have a qualified engineer inspect for safety before operating.
- If the device has been exposed to drastic temperature fluctuation (e.g. after transportation), do not switch it on immediately. The arising condensation water might damage your device. Leave the device switched off until it has reached room temperature.
- If your Showtec device fails to work properly, discontinue the use immediately. Pack the unit securely (preferably in the original packing material), and return it to your Showtec dealer for service.
- For adult use only. The fixture must be installed beyond the reach of children. Never leave the unit running unattended.
- Never attempt to bypass the thermostatic switch or fuses.

- The user is responsible for correct positioning and operating of the Spectral. The manufacturer will not accept liability for damages caused by the misuse or incorrect installation of this device.
- This device falls under protection class I. Therefore it is essential to connect the yellow/green conductor to earth.
- Repairs, servicing and electric connection must be carried out by a qualified technician.
- WARRANTY: Till one year after date of purchase.



Operating Determinations

- This device is not designed for permanent operation. Consistent operation breaks will ensure that the device will serve you for a long time without defects.
- The minimum distance between light output and the illuminated surface must be bigger than 1 meter.
- The maximum ambient temperature $t_a = 40^\circ\text{C}$ must never be exceeded.
- The relative humidity must not exceed 50 % with an ambient temperature of 40°C .
- If this device is operated in any other way than the one described in this manual, the product may suffer damages and the warranty becomes void.
- Any other operation may lead to dangers like short-circuit, burns, electric shock, crash, etc.

You endanger your own safety and the safety of others!

Rigging

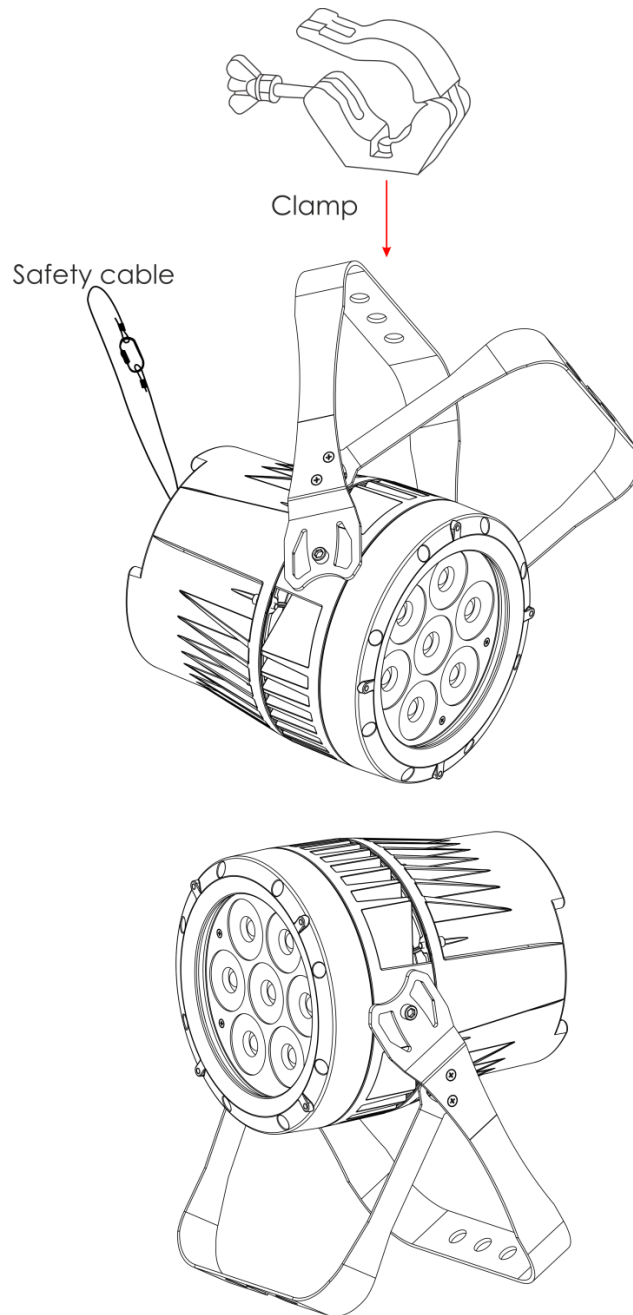
Please follow the European and national guidelines concerning rigging, trussing and all other safety issues.

Do not attempt the installation yourself !

Always let the installation be carried out by an authorized dealer !

Procedure:

- If the Spectral is lowered from the ceiling or high joists, professional trussing systems have to be used.
- Use a clamp to mount the Spectral, with the mounting bracket, to the trussing system.
- The Spectral must never be fixed swinging freely in the room.
- The installation must always be secured with a safety attachment, e.g. an appropriate safety net or safety cable.
- When rigging, derigging or servicing the Spectral, always make sure, that the area below the installation site is secured and that there are not any unauthorized people around.



The Spectral can be placed on a flat stage floor or mounted to any kind of truss with a clamp.

Improper installation can cause serious injuries and/or damage of property!

Connection with the mains

Connect the device to the mains with the power-plug.

Always check if the right color cable is connected to the right place.

International	EU Cable	UK Cable	US Cable	Pin
L	BROWN	RED	YELLOW/COPPER	PHASE
N	BLUE	BLACK	SILVER	NEUTRAL
⊕	YELLOW/GREEN	GREEN	GREEN	PROTECTIVE GROUND

Make sure that the device is always properly connected to the earth!

Improper installation can cause serious injuries and/or damage of property!



Return Procedure

Returned merchandise must be sent prepaid and in the original packing, call tags will not be issued. Package must be clearly labeled with a Return Authorization Number (RMA number). Products returned without an RMA number will be refused. Highlite will not accept the returned goods or any responsibility. Call Highlite 0031-455667723 or mail offersales@highlite.nl and request an RMA prior to shipping the fixture. Be prepared to provide the model number, serial number and a brief description of the cause for the return. Be sure to properly pack fixture, any shipping damage resulting from inadequate packaging is the customer's responsibility. Highlite reserves the right to use its own discretion to repair or replace product(s). As a suggestion, proper UPS packing or double-boxing is always a safe method to use.

Note: If you are given an RMA number, please include the following information on a piece of paper inside the box:

- 01) Your name
- 02) Your address
- 03) Your phone number
- 04) A brief description of the symptoms

Claims

The client has the obligation to check the delivered goods immediately upon delivery for any shortcomings and/or visible defects, or perform this check after our announcement that the goods are at their disposal. Damage incurred in shipping is the responsibility of the shipper; therefore the damage must be reported to the carrier upon receipt of merchandise.

It is the customer's responsibility to report and submit claims with the shipper in the event that a fixture is damaged due to shipping. Transportation damage has to be reported to us within one day after receipt of the delivery.

Any return shipment has to be made post-paid at all times. Return shipments must be accompanied with a letter defining the reason for return shipment. Non-prepaid return shipments will be refused, unless agreed otherwise in writing.

Complaints against us must be prepared in writing or sent by fax within 10 working days after receipt of the invoice. After this period complaints will not be handled anymore.

Complaints will only then be considered if the client has so far complied with all parts of the agreement, regardless of the agreement from which the obligation is resulting.

Description of the device

Features

The Spectral M1500 Zoom Q4 MKII is a LED fixture with high output and great effects.

- Input Voltage: 100~240VAC, 50/60Hz
- Power consumption: 125W
- Light source: 7 x 4-in-1 12W RGBW LEDs
- Light output: Lumen: 1900+; Lux @ 2m: 31000+
- Control protocol: DMX-512
- DMX channels: 3, 3, 4, 4, 5, 6, 7, 12, 17, 25 channels
- 4-digit LED display for easy setup
- Refresh rate: 1200 Hz
- Dimmer: 0-100%
- Strobe: 0-20Hz
- Zoom Angle: 8-40°
- Control : Static Colors, Auto, Master/Slave, DMX-512
- Housing: Die-cast aluminum
- Connections: Special IP Neutrik PowerCON True1 connectors IN/OUT, special IP 3-pin XLR IN/OUT
- Cooling: Convection
- IP Rating: IP-65
- Dimensions: 255 x 225 x 360 mm (LxWxH)
- Weight: 6,9 kg

Frontside

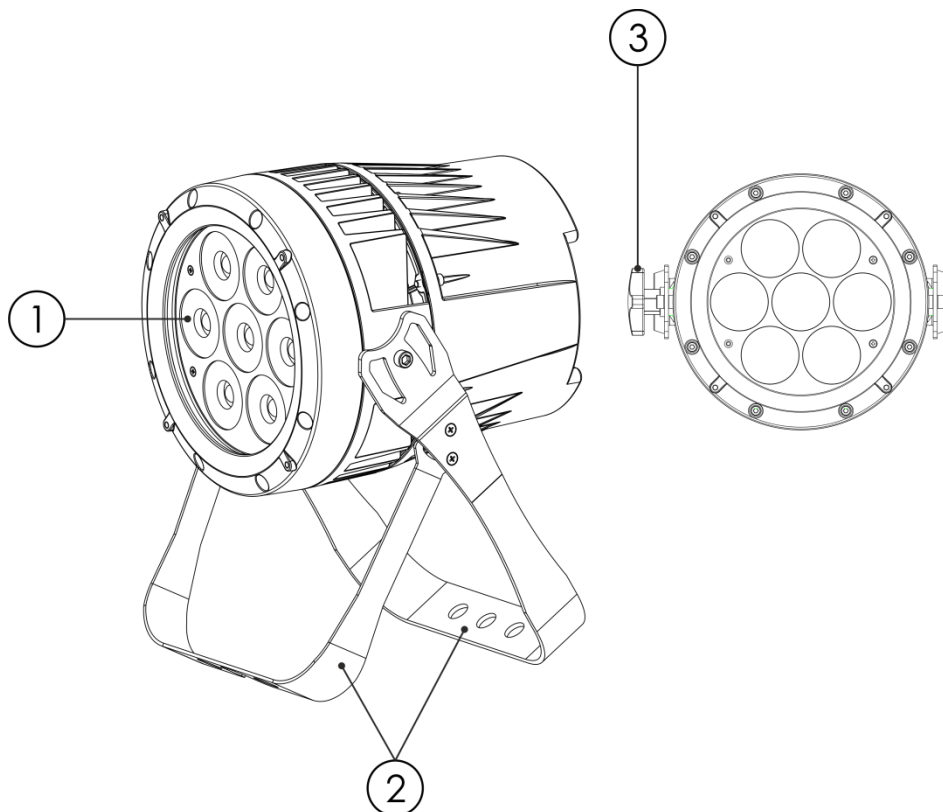


Fig. 01

- 01) 7 x 4-in-1 12W RGBW LEDs
02) Mounting brackets with inclination screw
03) Adjustment screw

Backside

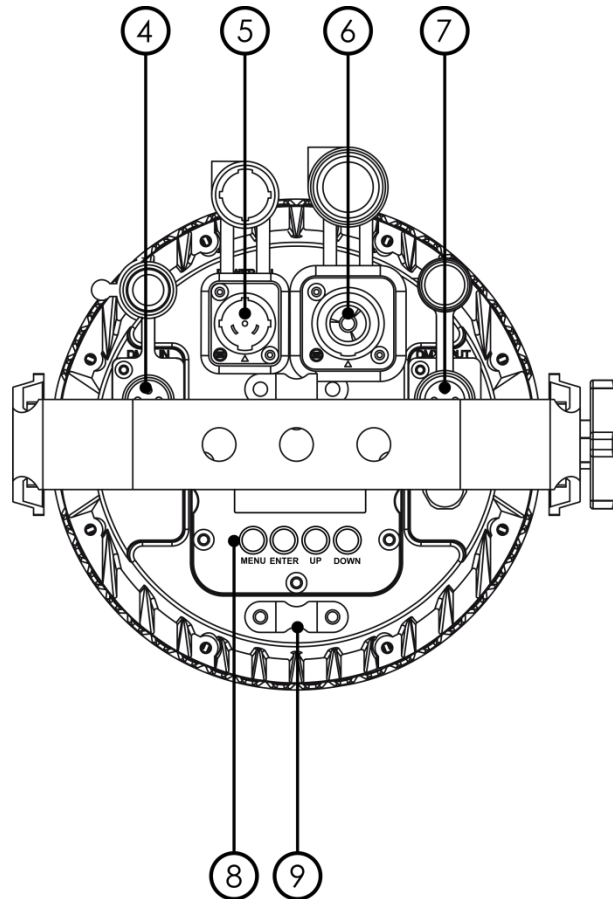


Fig. 02

- 04) Special IP 3-pin DMX signal connector IN
- 05) Special IP powerCON True1 connector 100-240V IN
- 06) Special IP powerCON True1 connector 100-240V OUT
- 07) Special IP 3-pin DMX signal connector OUT
- 08) 4-digit LED display + menu buttons
- 09) Safety eye

Installation

Remove all packing materials from the Spectral M1500 Zoom Q4 MKII. Check if all foam and plastic padding is removed. Connect all cables.

Do not supply power before the whole system is set up and connected properly.

Always disconnect from electric mains power supply before cleaning or servicing.

Damages caused by non-observance are not subject to warranty.

Set Up and Operation

Follow the directions below, as they pertain to your preferred operation mode.

Before plugging the unit in, always make sure that the power supply matches the product specification voltage. Do not attempt to operate a 120V specification product on 230V power, or vice versa.

Connect the device to the main power supply.

Control Modes

There are 4 modes:

- Static Colors (Manual)
- Built-in programs (Auto)
- Master/Slave
- DMX-512 (3CH, 3CH, 4CH, 4CH, 5CH, 6CH, 7CH, 12CH, 17CH, 25CH)

One Spectral (Static Colors)

- 01) Fasten the effect light to a firm trussing. Leave at least 0,5 meter on all sides for air circulation.
- 02) Always use a safety cable (ordercode 70140 / 70141).
- 03) Plug the end of the electric mains power cord into a proper electric power supply socket.
- 04) When the Spectral is not connected with a DMX cable, it functions as a stand-alone device. Please see page 16 for more information about the static colors.

One Spectral (Built-in programs)

- 01) Fasten the effect light to a firm trussing. Leave at least 0,5 meter on all sides for air circulation.
- 02) Always use a safety cable (ordercode 70140 / 70141).
- 03) Plug the end of the electric mains power cord into a proper electric power supply socket.
- 04) When the Spectral is not connected with a DMX cable, it functions as a stand-alone device. Please see page 17 for more information about the built-in programs.

Multiple Spectrals (Master/Slave control)

- 01) Fasten the effect light onto firm trussing. Leave at least 0,5 meter on all sides for air circulation.
- 02) Always use a safety cable (ordercode 70140 / 70141).
- 03) Use a 3-pin XLR cable to connect the Spectrals.

The pins:



- 01) Earth
- 02) Signal -
- 03) Signal +

- 04) Link the units as shown in fig. 03. Connect the first unit's DMX "out" socket with the second unit's "in" socket, using a DMX-signal cable. Repeat this process to link the second, third, and fourth units. You can use the same functions on the master device as described on pages 16-17 (Static colors or Built-in programs). This means that you can set your desired operation mode on the master device and all slave devices will react the same as the master device.

Multiple Spectrals (Master/Slave control)

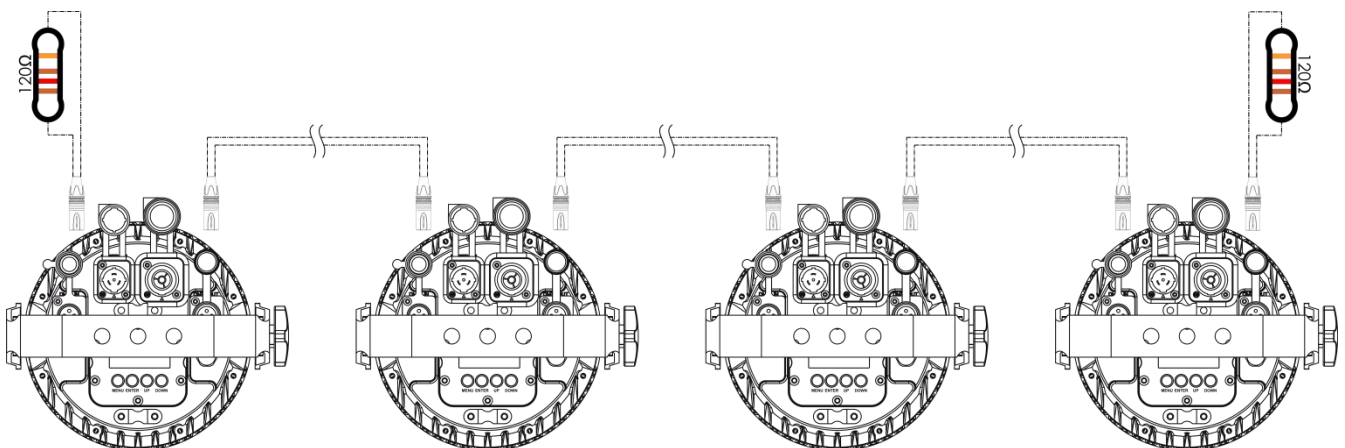
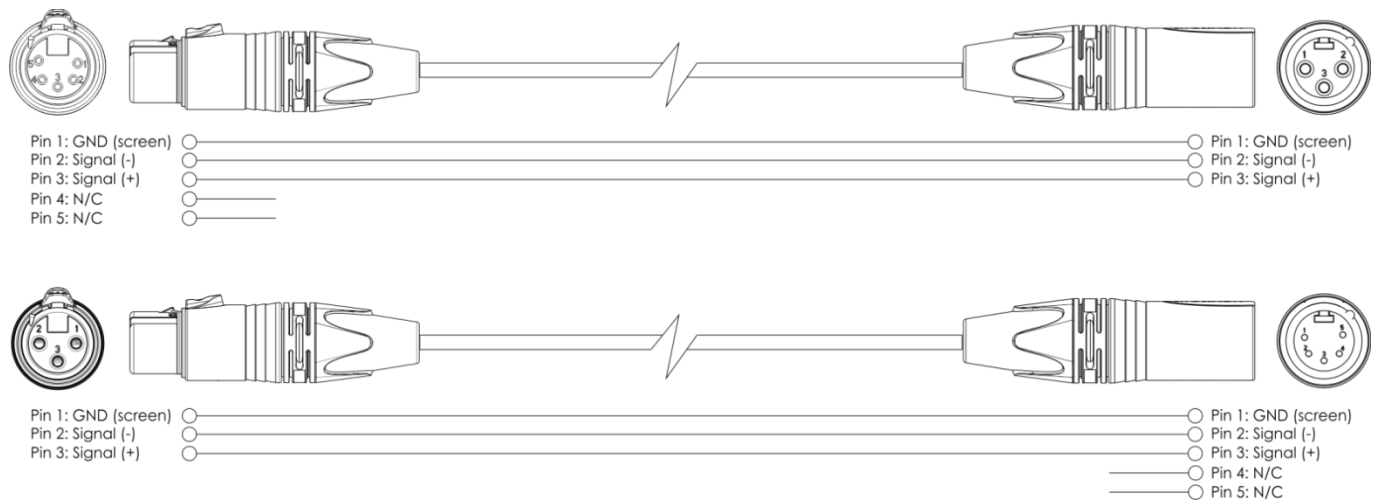


Fig. 03

Multiple Spectrals (DMX Control)

- 01) Fasten the effect light to a firm trussing. Leave at least 0,5 meter on all sides for air circulation.
- 02) Always use a safety cable (ordercode 70140 / 70141).
- 03) Use a 3-pin XLR cable to connect the Spectrals and other devices.



- 04) Link the units as shown in fig. 04. Connect the first unit's DMX "out" socket with the second unit's "in" socket, using a DMX-signal cable. Repeat this process to link the second, third, and fourth units.
- 05) Supply electric power: Plug electric mains power cords into each unit's Neutrik PowerCON True1 socket, then plug the other end of the mains power cord into proper electric power supply sockets, starting with the first unit. Do not supply power before the whole system is set up and connected properly.

Multiple Spectrals DMX Set Up

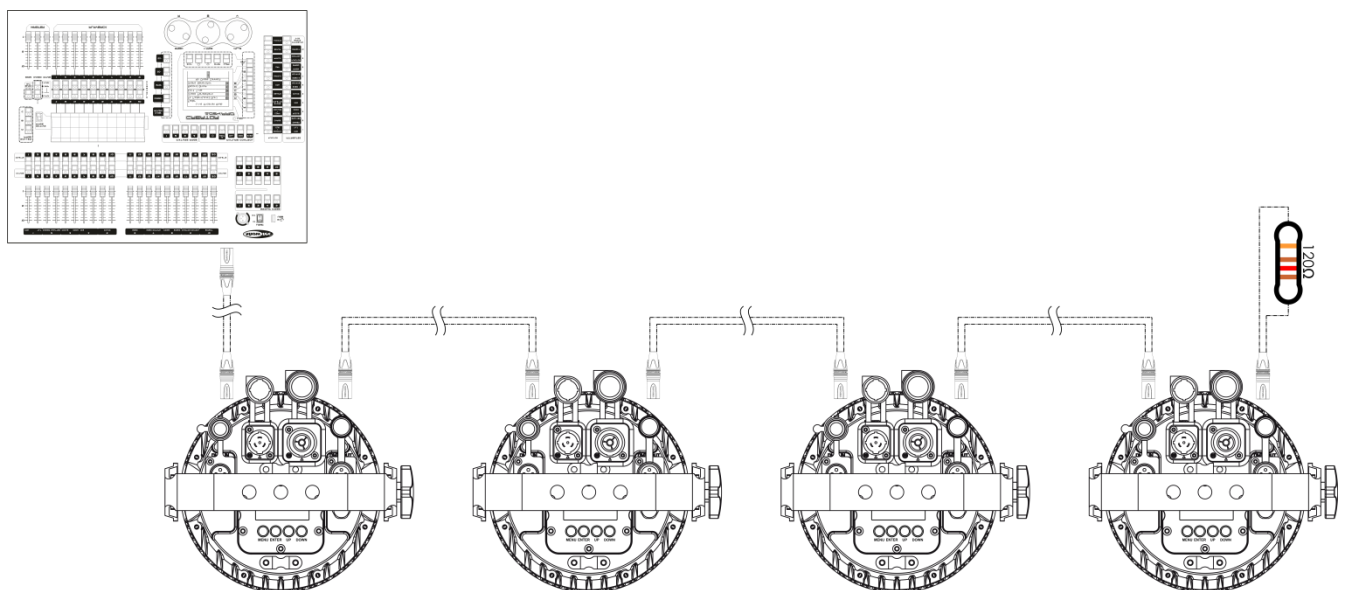



Fig. 04

Note : Link all cables before connecting electric power

Fixture Linking

You will need a serial data link to run light shows of one or more fixtures using a DMX-512 controller or to run synchronized shows of two or more fixtures set to a master/slave operating mode. The combined number of channels required by all the fixtures on a serial data link determines the number of fixtures the data link can support.

Important: Fixtures on a serial data link must be daisy-chained in a single line. To comply with the EIA-485 standard, no more than 30 devices should be connected on one data link. Connecting more than 30 fixtures on one serial data link without the use of a DMX optically isolated splitter may result in deterioration of the digital DMX signal.

 Maximum recommended DMX data link distance: 100 meters
Maximum recommended number of fixtures on a DMX data link: 30 fixtures
Maximum recommended number of fixtures on a power link: @110V: 6 fixtures
Maximum recommended number of fixtures on a power link: @240V: 12 fixtures

Data Cabling

To link fixtures together, you must obtain data cables. You can purchase DAP Audio certified DMX cables directly from a dealer/distributor or construct your own cable. If you choose to create your own cable, please use data-grade cables that can carry a high quality signal and are less prone to electromagnetic interference.

DAP Audio DMX Data Cables

- DAP Audio Basic microphone cable for allround use. bal. XLR/M 3-pin > XLR/F 3-pin. **Ordercode** FL01150 (1,5 m), FL013 (3 m), FL016 (6 m), FL0110 (10 m), FL0115 (15 m), FL0120 (20 m).
- DAP Audio X-type data cable XLR/M 3-pin > XLR/F 3-pin. **Ordercode** FLX0175 (0,75 m), FLX01150 (1,5 m), FLX013 (3 m), FLX016 (6 m), FLX0110 (10 m).
- DAP Audio cable for the demanding user with exceptional audio-qualities and connector made by Neutrik®. **Ordercode** FL71150 (1,5 m), FL713 (3 m), FL716 (6 m), FL7110 (10 m).
- DAP Audio cable for the demanding user with exceptional audio-qualities and connector made by Neutrik®. **Ordercode** FL7275 (0,75 m), FL72150 (1,5 m), FL723 (3 m), FL726 (6 m), FL7210 (10 m).
- DAP Audio 110 Ohm cable with digital signal transmission. **Ordercode** FL0975 (0,75 m), FL09150 (1,5 m), FL093 (3 m), FL096 (6 m), FL0910 (10 m), FL0915 (15 m), FL0920 (20 m).

Note: connect the Spectrals with the dedicated special XLR cables for outdoor use.

[FL73150](#) 1,5 m IP65 XLR/M 3p. > XLR/F 3p. Neutrik

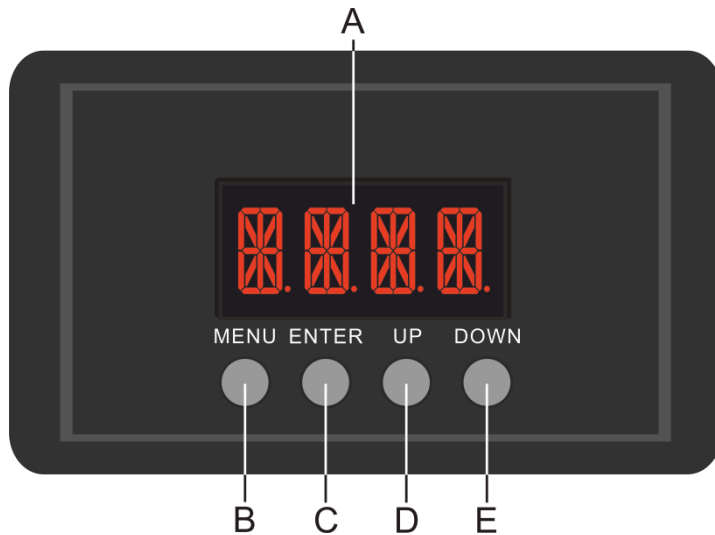
[FL733](#) 3,0 m IP65 XLR/M 3p. > XLR/F 3p. Neutrik

[FL736](#) 6,0 m IP65 XLR/M 3p. > XLR/F 3p. Neutrik

[FL7310](#) 10 m IP65 XLR/M 3p. > XLR/F 3p. Neutrik

The Spectral M1500 Zoom Q4 MKII can be operated with a controller in **control mode** or without the controller in **stand-alone mode**.

Control Panel



- A) LED display
- B) MENU button
- C) ENTER button
- D) UP button
- E) DOWN button

Fig. 05

Control Mode

The fixtures are individually addressed on a data-link and connected to the controller. The fixtures respond to the DMX signal from the controller. (When you select the DMX address and save it, the controller will display the saved DMX address, next time.)

DMX Addressing

The control panel on the front side of the base allows you to assign DMX fixture addresses, which is the first channel with which the Spectral will respond to the controller.

Please note, when you use the controller, the unit has **25** channels.

When using multiple Spectrals, make sure you set the DMX addresses right.

Therefore, the DMX address of the first Spectral should be **1(d001)**; the DMX address of the second Spectral should be **1+25=26 (d026)**; the DMX address of the third Spectral should be **26+25=51 (d051)**, etc. Please, be sure that you do not have any overlapping channels in order to control each Spectral correctly. If two or more Spectrals are addressed similarly, they will work similarly.

Controlling:

After having addressed all Spectral fixtures, you may now start operating these via your lighting controller.

Note: After switching on, the Spectral will automatically detect whether DMX 512 data is received or not. If there is no data received at the DMX-input, the "LED" on the control panel will not flash.

If not, the problem may be:

- The XLR cable from the controller is not connected with the input of the Spectral M1500 Zoom Q4 MKII.
- The controller is switched off or defective, the cable or connector is defective, or the signal wires are swapped in the input connector.

Note: It is necessary to insert an XLR termination plug (with 120 Ohm) in the last fixture in order to ensure proper transmission on the DMX data link.

Display Off after 30 seconds

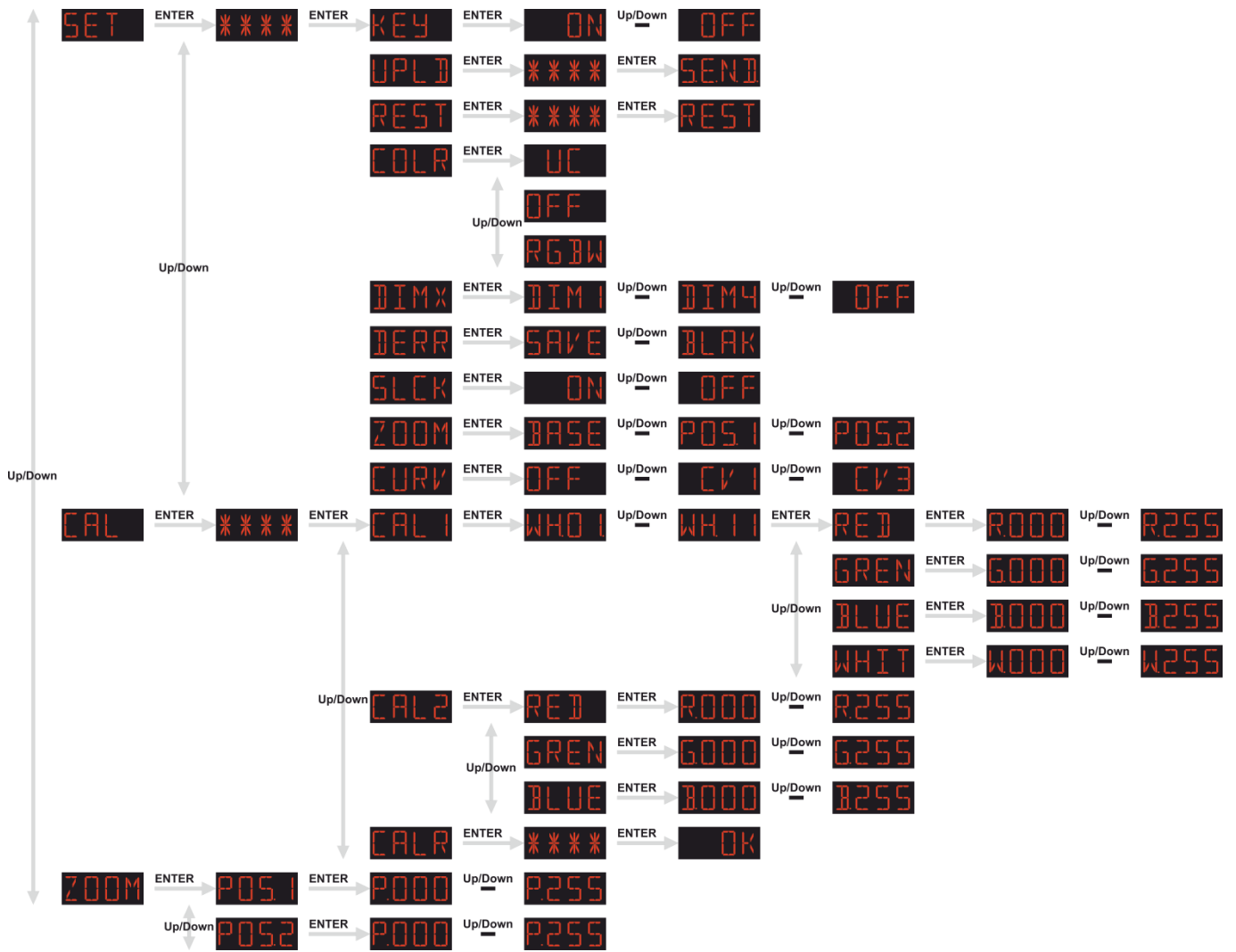
When no button is pressed for 30 seconds, the display will turn off.

To light up the display, you have to press the MENU, ENTER, UP or DOWN button.

Once you have pressed the button, the display will light up.

Menu Overview





Main Menu Options

STAT	Static Colors
AUTO	Built-in programs
RUN	Master/Slave Mode
ADDR	DMX-512 Mode
PERS	DMX channel modes (personalities)
EDIT	Edit Mode
SET	Settings
CAL	White color settings/RGB calibration/Calibration reset
ZOOM	Zoom calibration

1. Static Colors

With this menu, you can set the static colors.



- 01) Press the **UP/DOWN** buttons until the display shows **STAT**.
- 02) Press the **ENTER** button to open the menu.
- 03) Press the **UP/DOWN** buttons to toggle between the static colors (Red, Green, Blue, White), Zoom and Strobe.
- 04) Once you have chosen the desired color, press the **ENTER** button to open the menu.
- 05) Press the **UP/DOWN** buttons to adjust the LED brightness. The adjustment range is between 0-255, from dark to brightest.
- 06) When the display shows **ZOOM**, press the **ENTER** button to open the Zoom settings.
- 07) Press the **UP/DOWN** buttons to set the zoom factor. The adjustment range is between 0-255, from OFF to full zoom.
- 08) When the display shows **STROB**, press the **ENTER** button to open the menu.
- 09) Press the **UP/DOWN** buttons to increase/decrease the strobe frequency. The adjustment range is between **S000** ^{Up/Down} **S020**, from OFF to high strobe frequency.
- 10) You can combine RED, GREEN, BLUE and WHITE to create an infinite range of colors (0-255).

2. Built-in programs

With this menu, you can set the built-in programs.



- 01) Press the **UP/DOWN** buttons until the display shows **AUTO** and press the **ENTER** button to open the menu.
- 02) Press the **UP/DOWN** buttons to choose one of the 10 uneditable built-in programs (AT.01-AT.10) and 10 presets (PR.01-PR.10) which can be edited in Edit mode (see page 18).
- 03) Press the **ENTER** button to activate.
- 04) The device will now run the desired built-in program.

3. Master/Slave Mode

With this menu, you can set the device as a slave.

- 01) Press the **UP/DOWN** buttons until the display shows **RUN**.
- 02) Press the **ENTER** button to open the menu.
- 03) Press the **UP/DOWN** buttons to toggle between the 2 following options:

DMX DMX/Master Mode

SLAV Slave Mode

- 04) When the display shows **DMX**, the display is operating in DMX/Master Mode.
- 05) When the display shows **SLAV**, the device is operating in Slave Mode. It means that it will react the same as the master device.

4. DMX-512 Mode

With this menu, you can set the DMX address.

- 01) Press the **UP/DOWN** buttons until the display shows **ADDR**.
- 02) Press the **ENTER** button to open the menu.
- 03) Press the **UP/DOWN** buttons to choose the desired DMX address. There are 512 available DMX addresses to choose from.

5. DMX channel modes

With this menu, you can set the desired DMX channel mode (personality).

- 01) Press the **UP/DOWN** buttons until the display shows **PERS**.
- 02) Press the **ENTER** button to open the menu.
- 03) Press the **UP/DOWN** buttons to toggle between the following DMX channel modes:

TOUR :	12 channels	AR20 :	5 channels
TR16 :	17 channels	AR25 :	6 channels
ARC1 :	3 channels	HSV :	3 channels
AR10 :	4 channels	AR22 :	7 channels
ARC2 :	4 channels	FULL :	25 channels

6. Edit Mode

With this menu, you can create your own custom shows.



- 01) Press the **UP/DOWN** buttons until the display shows **EDIT**.
- 02) Press the **ENTER** button to open the menu.
- 03) Press the **UP/DOWN** buttons to choose the desired custom program: PR.01 – PR.10.
- 04) Press the **ENTER** button to proceed to the scene choice. Each custom program has 30 scenes, which can be edited.
- 05) Once you have chosen the desired scene, press the **ENTER** button to enter the settings.
- 06) Press the **UP/DOWN** buttons to toggle between RED, GREEN, BLUE, WHITE, ZOOM, STROBE, STEP TIME and FADE options.
- 07) When the display shows RED, GREEN, BLUE and WHITE, press the **ENTER** button to open the menu and press the **UP/DOWN** buttons to increase/decrease the LED brightness. The adjustment range is between 0-255, from OFF to FULL ON.
- 08) When the display shows ZOOM, press the **ENTER** button to open the menu and press the **UP/DOWN** buttons to increase/decrease the zoom factor. The adjustment range is between 0-255, from OFF to full zoom.
- 09) When the display shows STRB, press the **ENTER** button to open the menu and press the **UP/DOWN** buttons to set the strobe frequency. The adjustment range is between 0-20, from OFF to high strobe frequency.
- 10) When the display shows TIME, press the **ENTER** button to open the menu and press the **UP/DOWN** buttons to set the duration of a scene. The adjustment range is between 0-255, from 0 to 255 seconds.
- 11) When the display shows FADE, press the **ENTER** button to open the menu and press the **UP/DOWN** buttons to set the fade time between particular scenes. The adjustment range is between 0-255, from 0 to 255 seconds.

6.1. How to make your own custom program

- 01) First, start with PR.01 and add the desired settings in scene 1 (SC.01), then scene 2 (SC.02) , etc.
- 02) In this way you can add a maximum of 30 scenes.
- 03) After that, you can start with PR.02 and create a maximum of 30 scenes again.
- 04) You can repeat these steps, until you've reached PR.10, step 30.
- 05) It is possible to create 300 separate scenes.

7. Settings

With this menu you can set the device's settings.

- 01) Press the **UP/DOWN** buttons until the display shows **SET**.
- 02) Press the **ENTER** button to open the menu.
- 03) Now you will need to insert the password to access the menu.
- 04) Press the following buttons in this order: **UP>DOWN>UP>DOWN** and press the **ENTER** button to confirm.

7.1. Password

With this menu you can set whether the display becomes locked after remaining idle for 30 seconds.

- 01) When the display shows **KEY**, press the **ENTER** button to open the menu.
- 02) Press the **UP/DOWN** buttons to choose between ON and OFF.
- 03) If you have selected ON, press the **ENTER** button to confirm.
- 04) It will now take 30 seconds for the device to become locked.
- 05) If this options remains active, the device will always ask for the password on start up.
- 06) In order to unlock the device, press the following buttons in the following order: **UP>DOWN>UP>DOWN** and confirm by pressing the **ENTER** button.

7.2. Upload

With this menu, you can export current programs from the master device to the connected slave devices.

- 01) Press the **UP/DOWN** buttons until the display shows **UPLD**.
- 02) Press the **ENTER** button to open the menu.
- 03) Insert the password: **UP>DOWN>UP>DOWN** and press the **ENTER** button to confirm.
- 04) The display will show **SEND**.
- 05) Press the **ENTER** button again, to confirm.
- 06) While **exporting**, the slave devices will light up **yellow**.
- 07) If there are any **problems with exporting**, the master and the slave devices will light up **red**.
- 08) If the operation was **completed successfully**, the master and the slave devices will light up **green**.

7.3. Reset

With this menu, you can reset the custom programs.

- 01) Press the **UP/DOWN** buttons until the display shows **REST**.
- 02) Press the **ENTER** button to open the menu.
- 03) Insert the password: **UP>DOWN>UP>DOWN** and press the **ENTER** button to confirm.
- 04) The custom programs will now be reset.

7.4. Color

With this menu, you can adjust the color calibration functions.

- 01) Press the **UP/DOWN** buttons until the display shows **COLR**.
- 02) Press the **ENTER** button to open the menu.
- 03) Press the **UP/DOWN** buttons to toggle between the following 3 options:
 - UC** Adjusted output
 - OFF** Off
 - RGBW** RGB to White
- 04) When the display shows **UC**, the RGB output is adjusted to a standard preset universal color. In this way, different Spectral versions are color-balanced in order to match each other.
- 05) When the display shows **OFF**, the RGB settings are: 255, 255, 255. The RGB values are not adjusted and the output is the most powerful.

- 06) When the display shows **RGBW**, RGB to White is active. This means RGB = 255, 255, 255. The color displayed is the specific color which you have calibrated in **CAL → RGB.W** menu.

7.5. Dimmer

With this menu, you can adjust the dimmer.

- 01) Press the **UP/DOWN** buttons until the display shows **DIMX**.
- 02) Press the **ENTER** button to open the menu.
- 03) Press the **UP/DOWN** buttons to choose one of the 4 dimmer speed options (DIM1-DIM4, from fast to slow) and OFF.
- 04) If you choose OFF, then RGBW and the master dimmer are linear.
- 05) The dimmer settings do not have any influence on the device's performance in DMX **TOUR** mode. The DMX settings override the dimmer settings.

7.6. DMX Error

With this menu, you can determine the device's behaviour in case of a DMX signal error.

- 01) Press the **UP/DOWN** buttons until the display shows **DERR**.
- 02) Press the **UP/DOWN** buttons to toggle between the 2 options:

BLAK Blackout

SAVE DMX data save

- 03) If the display shows **BLAK**, the Spectral will black the output out, in case of a DMX signal error.
- 04) If the display shows **SAVE**, the Spectral will fall back on the last *working* DMX signal, which will ensure uninterrupted performance.

7.7. Settings menu lock

With this menu, you can lock the access to the settings.

- 01) Press the **UP/DOWN** buttons until the display shows **SLCK**.
- 02) Press the **ENTER** button to open the menu.
- 03) Press the **UP/DOWN** buttons to choose between ON and OFF.
- 04) If you have chosen ON, you will need to insert the password (**UP>DOWN>UP>DOWN**), every time you want to gain access to the settings menu.

7.8. Zoom presets

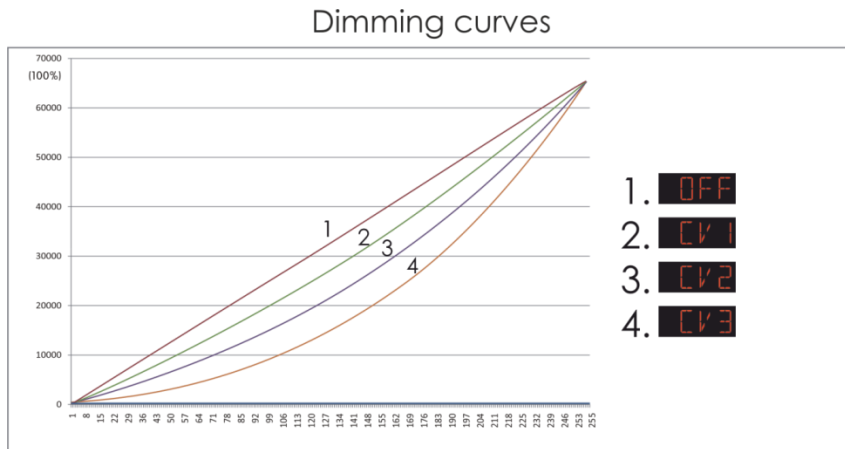
With this menu you can set the zoom positions.

- 01) When the display shows **ZOOM**, press the **ENTER** button to open the menu.
- 02) Press the **UP/DOWN** buttons to choose one of the 3 zoom presets: **BASE**, **POS1** and **POS2**.

7.9. Curve

With this menu, you can adjust the shape of the dimming curve.

- 01) Press the **UP/DOWN** buttons until the display shows **CURV**.
- 02) Press the **ENTER** button to open the menu.
- 03) Press the **UP/DOWN** buttons to choose the desired dimming curve (CV1-CV3-OFF), from fast to slow and OFF.



8. White color settings/RGB calibration/Calibration reset

With this menu, you can adjust the characteristics of the white color or set the RGB calibration.

- 01) Press the **UP/DOWN** buttons until the display shows **CAL**.
- 02) Press the **ENTER** button to open the menu.
- 03) Insert the password: **UP>DOWN>UP>DOWN** and press the **ENTER** button to confirm.
- 04) Press the **UP/DOWN** buttons to toggle between the following 3 options:

CAL1

White settings

CAL2

RGB calibration

CALR

Calibration reset

8.1. White color settings

With this menu you can adjust the temperature of the built-in white color presets.

- 01) When the display shows **CAL1**, press the **ENTER** button to open the menu.
- 02) Press the **UP/DOWN** buttons to choose one of the 11 white color presets: **WHO1** ^{Up/Down} **WH11**.
- 03) Once you have chosen the desired preset, press the **ENTER** button to open the submenu.
- 04) Press the **UP/DOWN** buttons to toggle between RED, GREEN, BLUE and WHITE.
- 05) Press the **ENTER** button to open the desired color's brightness settings.
- 06) Press the **UP/DOWN** buttons to increase/decrease the color brightness. The adjustment range of each color is between 0-255, from dark to brightest.

8.2. RGB calibration

With this menu you can adjust the temperature of the white color.

- 01) When the display shows **CAL2**, press the **ENTER** button to open the menu.
- 02) Now you can adjust the intensity of the RGB colors. Press the **UP/DOWN** buttons to toggle between RED, GREEN and BLUE.
- 03) Press the **ENTER** button to open the desired color's brightness settings.
- 04) Press the **UP/DOWN** buttons to increase/decrease the color brightness. The adjustment range of each color is between 0-255, from dark to brightest.

8.3. Calibration reset

- 01) When the display shows **CALR**, press the **ENTER** button to open the menu.
- 02) Insert the password: **UP>DOWN>UP>DOWN** and press the **ENTER** button to confirm.
- 03) The settings, which you have previously adjusted, will have been reset and the display will show OK.

9. Zoom calibration

With this menu you can set the zoom positions.

- 01) When the display shows **ZOOM**, press the **ENTER** button to open the menu.
- 02) Press the **UP/DOWN** buttons to toggle between the 2 zoom presets: **POS1** and **POS2**.
- 03) Press the **ENTER** button to open the settings of the chosen preset.
- 04) Press the **UP/DOWN** buttons to set the zoom factor. The adjustment range is between **P000** ^{Up/Down} **P255**, from OFF to full zoom.

DMX Channels

12 channels (TOUR)

Channel 1 – Dimmer intensity

0-255 Gradual adjustment, from dark to brightest 0-100%

Channel 2 – Red (CH1 must be set between 001-255)

0-255 Gradual adjustment Red, from 0-100%

Channel 2 – Step time (CH8 must be set between 141-255)

0-255 Gradual adjustment Red, from 0-100%

Channel 3 – Green (CH1 must be set between 001-255)

0-255 Gradual adjustment Green, from 0-100%

Channel 3 – Fade time (CH8 must be set between 141-255)

0-255 Gradual adjustment Green, from 0-100%

Channel 4 – Blue (CH1 must be set between 001-255)

0-255 Gradual adjustment Blue, from 0-100%

Channel 5 – White (CH1 must be set between 001-255)

0-255 Gradual adjustment White, from 0-100%

Channel 6 – Macros (CH1 must be set between 001-255)

0-10	Not functional
11-30	Red 100% / Green Up / Blue 0%
31-50	Red Down / Green 100% / Blue 0%
51-70	Red 0% / Green 100% / Blue Up
71-90	Red 0% / Green Down / Blue 100%
91-110	Red Up / Green 0% / Blue 100%
111-130	Red 100% / Green 0% / Blue Down
131-150	Red 100% / Green Up / Blue Up
151-170	Red Down / Green Down / Blue 100%
171-200	Red 100% / Green 100% / Blue 100% / White 100%
201-205	White 1: 3200K
206-210	White 2: 3400K

211-215	White 3: 4200K
216-220	White 4: 4900K
221-225	White 5: 5600K
226-230	White 6: 5900K
231-235	White 7: 6500K
236-240	White 8: 7200K
241-245	White 9: 8000K
246-250	White 10: 8500K
251-255	White 11: 10000K

Channel 7 – Strobe (CH1 and CH2, CH3, CH4, CH5 must be set between 001-255 and CH6 between 11-255 or CH8 between 41-140 )

0-9	Not functional
10-255	Strobe flash frequency, from slow to fast

Channel 8 – Built-in programs/Custom programs (CH1 must be set between 001-255 )

0-40	Not functional
41-50	Auto 1
51-60	Auto 2
61-70	Auto 3
71-80	Auto 4
81-90	Auto 5
91-100	Auto 6
101-110	Auto 7
111-120	Auto 8
121-130	Auto 9
131-140	Auto 10
141-150	Custom 1
151-160	Custom 2
161-170	Custom 3
171-180	Custom 4
181-190	Custom 5
191-200	Custom 6
201-210	Custom 7
211-220	Custom 8
221-230	Custom 9
231-255	Custom 10

Channel 9 – Auto speed (CH8 must be set between 41-140 )

0-255	Speed adjustment, from slow to fast
-------	-------------------------------------

Channel 10 – Dimmer speed

0-9	Preset dimmer speed from the device's menu
10-29	Linear dimmer
30-69	Non-linear dimmer 1 (fastest)
70-129	Non-linear dimmer 2
130-189	Non-linear dimmer 3
190-255	Non-linear dimmer 4 (slowest)

Channel 11 – Zoom

0-255	Gradual zoom adjustment, from OFF to FULL
-------	---

Channel 12 – Zoom reset

0-200	Not functional
201-220	Zoom reset
221-255	Not functional

17 channels (TR16)

Channel 1 – Dimmer intensity

0-255 Gradual adjustment, from dark to brightest 0-100%

Channel 2 – Fine dimmer

0-255 Fine dimmer adjustment, from dark to brightest 0-100%

Channel 3 – Red (CH1 must be set between 001-255)

0-255 Gradual adjustment Red, from 0-100%

Channel 4 – Fine Red (CH2 must be set between 001-255)

0-255 Fine adjustment Red, from 0-100%

Channel 5 – Green (CH1 must be set between 001-255)

0-255 Gradual adjustment Green, from 0-100%

Channel 6 – Fine Green (CH2 must be set between 001-255)

0-255 Fine adjustment Green, from 0-100%

Channel 7 – Blue (CH1 must be set between 001-255)

0-255 Gradual adjustment Blue, from 0-100%

Channel 8 – Fine Blue (CH2 must be set between 001-255)

0-255 Fine adjustment Blue, from 0-100%

Channel 9 – White (CH1 must be set between 001-255)


0-255 Gradual adjustment White, from 0-100%

Channel 10 – Fine White (CH2 must be set between 001-255)

0-255 Fine adjustment White, from 0-100%

Channel 11 – Macros (CH1 must be set between 001-255)

0-10	Not functional
11-30	Red 100% / Green Up / Blue 0%
31-50	Red Down / Green 100% / Blue 0%
51-70	Red 0% / Green 100% / Blue Up
71-90	Red 0% / Green Down / Blue 100%
91-110	Red Up / Green 0% / Blue 100%
111-130	Red 100% / Green 0% / Blue Down
131-150	Red 100% / Green Up / Blue Up
151-170	Red Down / Green Down / Blue 100%
171-200	Red 100% / Green 100% / Blue 100% / White 100%
201-205	White 1: 3200K
206-210	White 2: 3400K
211-215	White 3: 4200K
216-220	White 4: 4900K
221-225	White 5: 5600K
226-230	White 6: 5900K
231-235	White 7: 6500K
236-240	White 8: 7200K
241-245	White 9: 8000K
246-250	White 10: 8500K
251-255	White 11: 10000K

Channel 12 – Strobe (CH1 or CH2 and CH3, CH4, CH5, CH6, CH7, CH8, CH9 or CH10 must be set between 001-255 and CH11 between 11-255 and CH13 between 41-140 )

0-10	Not functional
11-255	Strobe flash frequency, from slow to fast

Channel 13 – Built-in programs/Custom programs (CH1 must be set between 001-255 )

0-40	Not functional
41-50	Auto 1
51-60	Auto 2
61-70	Auto 3
71-80	Auto 4
81-90	Auto 5
91-100	Auto 6
101-110	Auto 7
111-120	Auto 8
121-130	Auto 9
131-140	Auto 10
141-150	Custom 1
151-160	Custom 2
161-170	Custom 3
171-180	Custom 4
181-190	Custom 5
191-200	Custom 6
201-210	Custom 7
211-220	Custom 8
221-230	Custom 9
231-255	Custom 10

Channel 14 – Auto speed (CH13 must be set between 41-140 )

0-255	Speed adjustment, from slow to fast
-------	-------------------------------------

Channel 15 – Dimmer speed

0-9	Preset dimmer speed from the device's menu
10-29	Linear dimmer
30-69	Non-linear dimmer 1 (fastest)
70-129	Non-linear dimmer 2
130-189	Non-linear dimmer 3
190-255	Non-linear dimmer 4 (slowest)

Channel 16 – Zoom

0-255	Gradual zoom adjustment, from OFF to FULL
-------	---

Channel 17 – Zoom reset

0-200	Not functional
201-220	Zoom reset
221-255	Not functional

3 channels (ARC1)

Channel 1 – Red

0-255 Gradual adjustment Red, from 0-100%

Channel 2 – Green

0-255 Gradual adjustment Green, from 0-100%

Channel 3 – Blue

0-255 Gradual adjustment Blue, from 0-100%

4 channels (AR1.D)

Channel 1 – Dimmer intensity

0-255 Gradual adjustment, from dark to brightest 0-100%

Channel 2 – Red (CH1 must be set between 001-255)

0-255 Gradual adjustment Red, from 0-100%

Channel 3 – Green (CH1 must be set between 001-255)

0-255 Gradual adjustment Green, from 0-100%

Channel 4 – Blue (CH1 must be set between 001-255)

0-255 Gradual adjustment Blue, from 0-100%

4 channels (ARC.2)

Channel 1 – Red

0-255 Gradual adjustment Red, from 0-100%

Channel 2 – Green

0-255 Gradual adjustment Green, from 0-100%

Channel 3 – Blue

0-255 Gradual adjustment Blue, from 0-100%

Channel 4 – White

0-255 Gradual adjustment White, from 0-100%

5 channels (AR2.D)

Channel 1 – Dimmer intensity

0-255 Gradual adjustment, from dark to brightest 0-100%

Channel 2 – Red (CH1 must be set between 001-255)

0-255 Gradual adjustment Red, from 0-100%

Channel 3 – Green (CH1 must be set between 001-255)

0-255 Gradual adjustment Green, from 0-100%

Channel 4 – Blue (CH1 must be set between 001-255)

0-255 Gradual adjustment Blue, from 0-100%

Channel 5 – White (CH1 must be set between 001-255)

0-255 Gradual adjustment White, from 0-100%

6 channels (AR2.S)

Channel 1 – Dimmer intensity

0-255 Gradual adjustment, from dark to brightest 0-100%

Channel 2 – Red (CH1 must be set between 001-255)

0-255 Gradual adjustment Red, from 0-100%

Channel 3 – Green (CH1 must be set between 001-255)

0-255 Gradual adjustment Green, from 0-100%

Channel 4 – Blue (CH1 must be set between 001-255)

0-255 Gradual adjustment Blue, from 0-100%

Channel 5 – White (CH1 must be set between 001-255)

0-255 Gradual adjustment White, from 0-100%

Channel 6 – Strobe (CH1 and CH2, CH3, CH4 or CH5 must be set between 001-255)

0-9 Not functional

10-255 Strobe flash frequency, from slow to fast

3 channels (HSV)

Channel 1 – Hue (color variations)

0-255 Gradual adjustment hue, from 0-100%

Channel 2 – Red color saturation

0-255 Saturation adjustment, from 0-100%

Channel 3 – Value (dimmer)

0-255 Gradual adjustment dimmer, from dark to brightest

7 channels (AR2.Z)

Channel 1 – Dimmer intensity

0-255 Gradual adjustment, from dark to brightest 0-100%

Channel 2 – Red (CH1 must be set between 001-255)

0-255 Gradual adjustment Red, from 0-100%

Channel 3 – Green (CH1 must be set between 001-255)

0-255 Gradual adjustment Green, from 0-100%

Channel 4 – Blue (CH1 must be set between 001-255)

0-255 Gradual adjustment Blue, from 0-100%

Channel 5 – White (CH1 must be set between 001-255)

0-255 Gradual adjustment White, from 0-100%

Channel 6 – Zoom

0-255 Gradual zoom adjustment, from OFF to FULL

Channel 7 – Zoom reset

0-200 Not functional

201-220 Zoom reset

221-255 Not functional

25 channels (FULL)

Channel 1 – Dimmer intensity

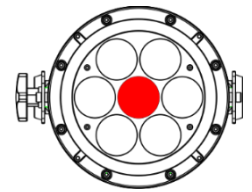
0-255 Gradual adjustment, from dark to brightest 0-100%

Channel 2 – Fine dimmer

0-255 Fine dimmer adjustment, from dark to brightest 0-100%

Channel 3 – Red (center point) (CH1 must be set between 001-255 ⚠)

0-255 Gradual adjustment Red, from 0-100%



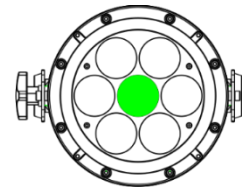
Channel 4 – Red fine (center point) (CH2 must be set between 001-255 ⚠)

0-255 Fine adjustment Red, from 0-100%

Channel 5 – Green (center point)

(CH1 must be set between 001-255 ⚠)

0-255 Gradual adjustment Red, from 0-100%

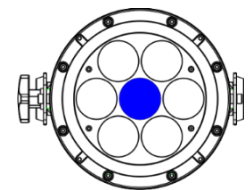


Channel 6 – Green fine (center point) (CH2 must be set between 001-255 ⚠)

0-255 Fine adjustment Green, from 0-100%

Channel 7 – Blue (center point) (CH1 must be set between 001-255 ⚠)

0-255 Gradual adjustment Blue, from 0-100%



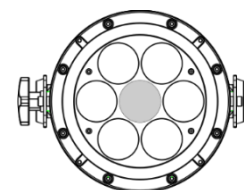
Channel 8 – Blue fine (center point) (CH2 must be set between 001-255 ⚠)

0-255 Fine adjustment Blue, from 0-100%

Channel 9 – White (center point)

(CH1 must be set between 001-255 ⚠)

0-255 Gradual adjustment White, from 0-100%

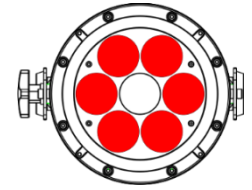


Channel 10 – White fine (center point) (CH2 must be set between 001-255 ⚠)

0-255 Fine adjustment White, from 0-100%

Channel 11 – Red (outer circle) (CH1 must be set between 001-255 ⚠)

0-255 Gradual adjustment Red, from 0-100%



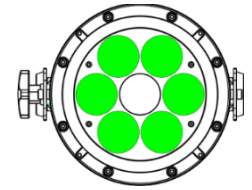
Channel 12 – Red fine (outer circle) (CH2 must be set between 001-255 ⚠)

0-255 Fine adjustment Red, from 0-100%

Channel 13 – Green (outer circle)

(CH2 must be set between 001-255 ⚠)

0-255 Gradual adjustment Green, from 0-100%

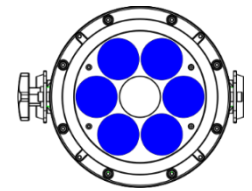


Channel 14 – Green fine (outer circle) (CH2 must be set between 001-255 ⚠)

0-255 Fine adjustment Green, from 0-100%

Channel 15 – Blue (outer circle) (CH1 must be set between 001-255 ⚠)

0-255 Gradual adjustment Blue, from 0-100%



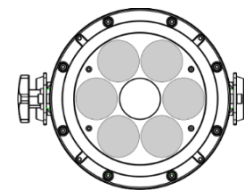
Channel 16 – Blue fine (outer circle) (CH2 must be set between 001-255 ⚠)

0-255 Fine adjustment Blue, from 0-100%

Channel 17 – White (outer circle)

(CH1 must be set between 001-255 ⚠)

0-255 Gradual adjustment White, from 0-100%



Channel 18 – White fine (outer circle) (CH2 must be set between 001-255 ⚠)


0-255 Fine adjustment White, from 0-100%

Channel 19 – Macros (CH1 must be set between 001-255 ⚠)

0-10	Not functional
11-30	Red 100% / Green Up / Blue 0%
31-50	Red Down / Green 100% / Blue 0%
51-70	Red 0% / Green 100% / Blue Up
71-90	Red 0% / Green Down / Blue 100%
91-110	Red Up / Green 0% / Blue 100%
111-130	Red 100% / Green 0% / Blue Down
131-150	Red 100% / Green Up / Blue Up
151-170	Red Down / Green Down / Blue 100%
171-200	Red 100% / Green 100% / Blue 100% / White 100%

201-205	White 1: 3200K
206-210	White 2: 3400K
211-215	White 3: 4200K
216-220	White 4: 4900K
221-225	White 5: 5600K
226-230	White 6: 5900K
231-235	White 7: 6500K
236-240	White 8: 7200K
241-245	White 9: 8000K
246-250	White 10: 8500K
251-255	White 11: 10000K

Channel 20 – Strobe

(CH1- CH18 must be set between 001-255 and CH19 between 11-255 and CH21 between 41-140 )

0-9	Not functional
10-255	Strobe flash frequency, from slow to fast

Channel 21 – Built-in programs/Custom programs (CH1 must be set between 001-255)

0-40	Not functional
41-50	Auto 1
51-60	Auto 2
61-70	Auto 3
71-80	Auto 4
81-90	Auto 5
91-100	Auto 6
101-110	Auto 7
111-120	Auto 8
121-130	Auto 9
131-140	Auto 10
141-150	Custom 1
151-160	Custom 2
161-170	Custom 3
171-180	Custom 4
181-190	Custom 5
191-200	Custom 6
201-210	Custom 7
211-220	Custom 8
221-230	Custom 9
231-255	Custom 10

Channel 22 – Auto speed (CH21 must be set between 41-140)

0-255	Speed adjustment, from slow to fast
-------	-------------------------------------

Channel 23 – Dimmer speed

0-9	Preset dimmer speed from the device's menu
10-29	Linear dimmer
30-69	Non-linear dimmer 1 (fastest)
70-129	Non-linear dimmer 2
130-189	Non-linear dimmer 3
190-255	Non-linear dimmer 4 (slowest)

Channel 24 – Zoom

0-255	Gradual zoom adjustment, from OFF to FULL
-------	---

Channel 25 – Zoom reset

0-200	Not functional
201-220	Zoom reset
221-255	Not functional

Maintenance

The operator has to make sure that safety-related and machine-technical installations are to be inspected by an expert after every year in the course of an acceptance test.

The operator has to make sure that safety-related and machine-technical installations are to be inspected by a skilled person once a year.

The following points have to be considered during the inspection:

- 01) All screws used for installing the device or parts of the device have to be tightly connected and must not be corroded.
- 02) There may not be any deformations on housings, fixations and installation spots.
- 03) Mechanically moving parts like axles, eyes and others may not show any traces of wearing.
- 04) The electric power supply cables must not show any damages or material fatigue.

The Spectral M1500 Zoom Q4 MKII requires almost no maintenance. However, you should keep the unit clean.

Otherwise, the fixture's light output will be significantly reduced. Disconnect the mains power supply, and then wipe the cover with a damp cloth. Do not immerse in liquid. Wipe lens clean with glass cleaner and a soft cloth. Do not use alcohol or solvents.

The front lens will require weekly cleaning, as smoke-fluid tends to build up residues, reducing the light-output very quickly.

Please clean internal components once a year with a light brush and vacuum cleaner.

Keep connections clean. Disconnect electric power, and then wipe the DMX connections with a damp cloth. Make sure that connections are thoroughly dry before linking equipment or supplying electric power.

Troubleshooting

This troubleshooting guide is meant to help solve simple problems.

If a problem occurs, carry out the steps below in sequence until a solution is found. Once the unit operates properly, do not carry out following steps.

No Light

If the light effect does not operate properly, refer servicing to a technician.

Suspect two potential problem areas as: the power supply and the LEDs.

- 01) Power supply. Check that the unit is plugged into an appropriate power supply.
- 02) The LEDs. Return the Spectral to your Showtec dealer.
- 03) If both of the above appear to be O.K., plug the unit in again.
- 04) If you are unable to determine the cause of the problem, do not open the Spectral, as this may damage the unit and the warranty will become void.
- 05) Return the device to your Showtec dealer.

No Response to DMX

Suspect the DMX cable or connectors, a controller malfunction, a light effect DMX card malfunction.

- 01) Check the DMX setting. Make sure that DMX addresses are correct.
- 02) Check the DMX cable: Unplug the unit; change the DMX cable; then reconnect to electrical power. Try your DMX control again.
- 03) Determine whether the controller or light effect is at fault. Does the controller operate properly with other DMX products? If not, take the controller in for repair. If so, take the DMX cable and the light effect to a qualified technician.

Problem	Probable cause(s)	Solution
One or more fixtures do not function at all	No power to the fixture	<ul style="list-style-type: none"> Check if power is switched on and cables are plugged in
	Internal fuse blown	<ul style="list-style-type: none"> Return the device to your local Showtec dealer.
Fixtures reset correctly, but all respond erratically or not at all to the controller	The controller is not connected. 3-pin/5-pin XLR Out of the controller does not match XLR Out of the first fixture on the link (i.e. signal is reversed)	<ul style="list-style-type: none"> Connect controller. Install a phase reversing cable between the controller and the first fixture on the link
Fixtures reset correctly, but some respond erratically or not at all to the controller	Poor data quality	<ul style="list-style-type: none"> Check data quality. If much lower than 100 percent, the problem may be a bad data link connection, poor quality or broken cables, missing termination plug, or a defective fixture disturbing the link
	Bad data link connection	<ul style="list-style-type: none"> Inspect connections and cables. Correct poor connections. Repair or replace damaged cables
	Data link not terminated with 120 Ohm termination plug	<ul style="list-style-type: none"> Insert termination plug in output jack of the last fixture on the link
	Incorrect addressing of the fixtures	<ul style="list-style-type: none"> Check address setting
	One of the fixtures is defective and disturbs data transmission on the link	<ul style="list-style-type: none"> Bypass one fixture at a time until normal operation is restored: unplug both connectors and connect them directly together. Have the defective fixture serviced by a qualified technician
	3-pin/5-pin XLR Out on the fixtures does not match (pins 2 and 3 reversed)	<ul style="list-style-type: none"> Install a phase-reversing cable between the fixtures or swap pin 2 and 3 in the fixture that behaves erratically
No light or LEDs cuts out intermittently	Fixture is too hot	<ul style="list-style-type: none"> Allow the fixture to cool down Clean the fan Make sure air vents in control panel and the front lens are not blocked Turn up the air conditioning
	LEDs damaged	<ul style="list-style-type: none"> Disconnect the fixture and return it to your dealer
	The power supply settings do not match local AC voltage and frequency	<ul style="list-style-type: none"> Disconnect fixture. Check settings and correct if necessary

Product Specifications

Model:	Showtec Spectral M1500 Zoom Q4 MKII
Input Voltage:	100-240 VAC, 50/60Hz
Power consumption:	125W (full output)
DMX linking:	30pcs
Power linking @240V:	12pcs
Dimensions:	255 x 225 x 360 mm (LxWxH)
Weight:	6,9 kg
Operating and Programming:	
Signal pin OUT:	Pin 1 (earth), pin 2 (-), pin 3 (+)
DMX Mode:	3, 3, 4, 4, 5, 6, 7, 12, 17, 25 channels
Signal input:	3-pin DMX IN
Signal output:	3-pin DMX OUT
Electro-mechanical effects:	
Light source:	7 x 4-in-1 12W RGBW LEDs
Light output:	1900+; Lux @ 2m: 31000+
Color mixing:	RGBW
Zoom angle:	8-40°
Dimmer:	0-100%
Strobe:	0-20Hz
Refresh rate:	1200Hz
Housing:	Die-cast aluminum
DMX-control:	via standard DMX-controller
Onboard:	4-digit LED display for easy setup
Control:	Static Colors, Auto, Master/Slave, DMX-512
Connections:	Special IP Neutrik PowerCON True1 connectors IN/OUT, special IP 3-pin XLR connectors IN/OUT
Cooling:	Convection
IP rating:	IP-65
Max. ambient temperature t_a :	40°C
Max. housing temperature t_B :	80°C
Minimum distance:	
Minimum distance from flammable surfaces:	0,5 m
Minimum distance to lighted object:	1 m

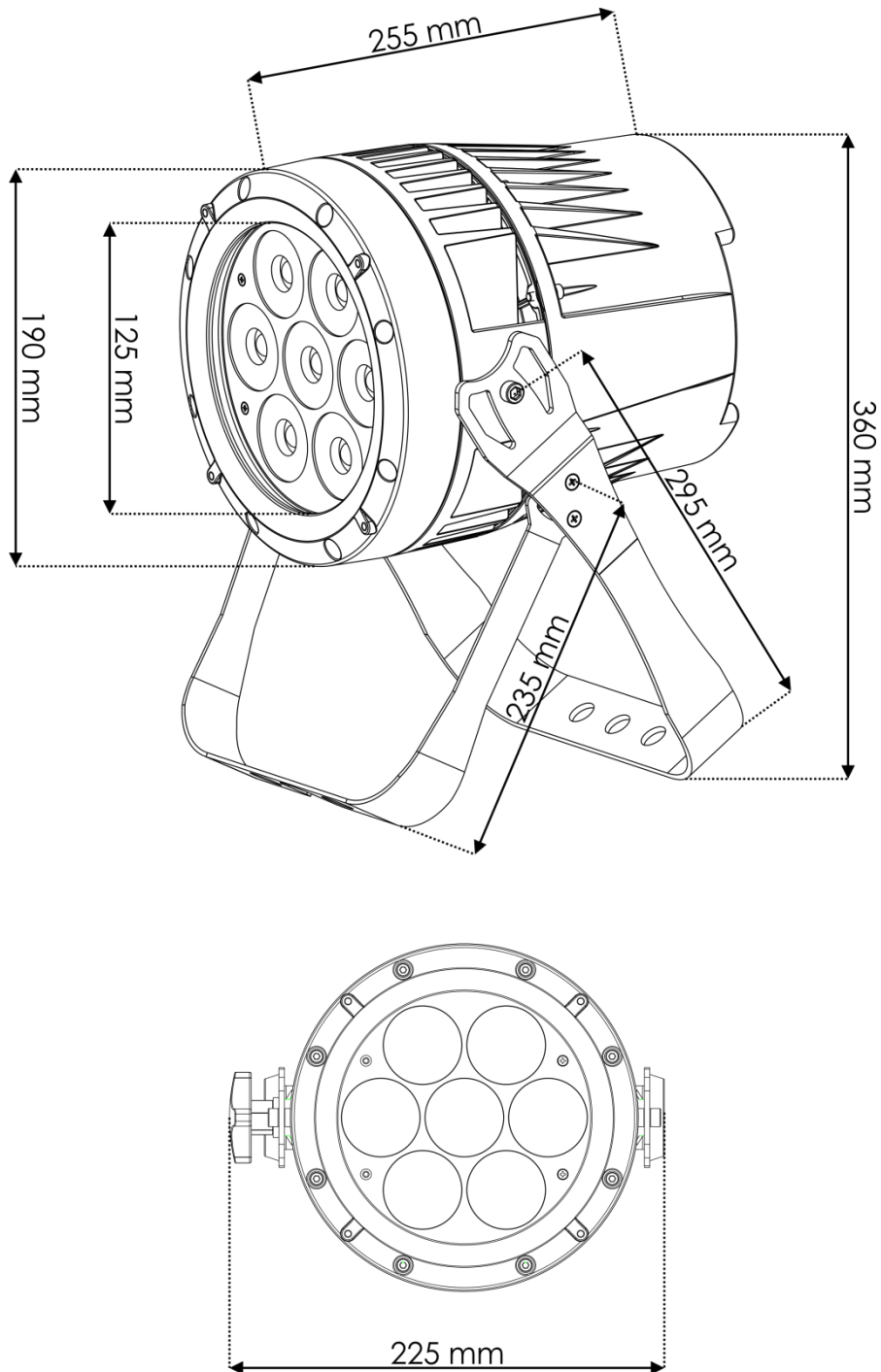
Design and product specifications are subject to change without prior notice.



Website: www.Showtec.info

Email: service@highlite.nl

Dimensions





©2016 Showtec